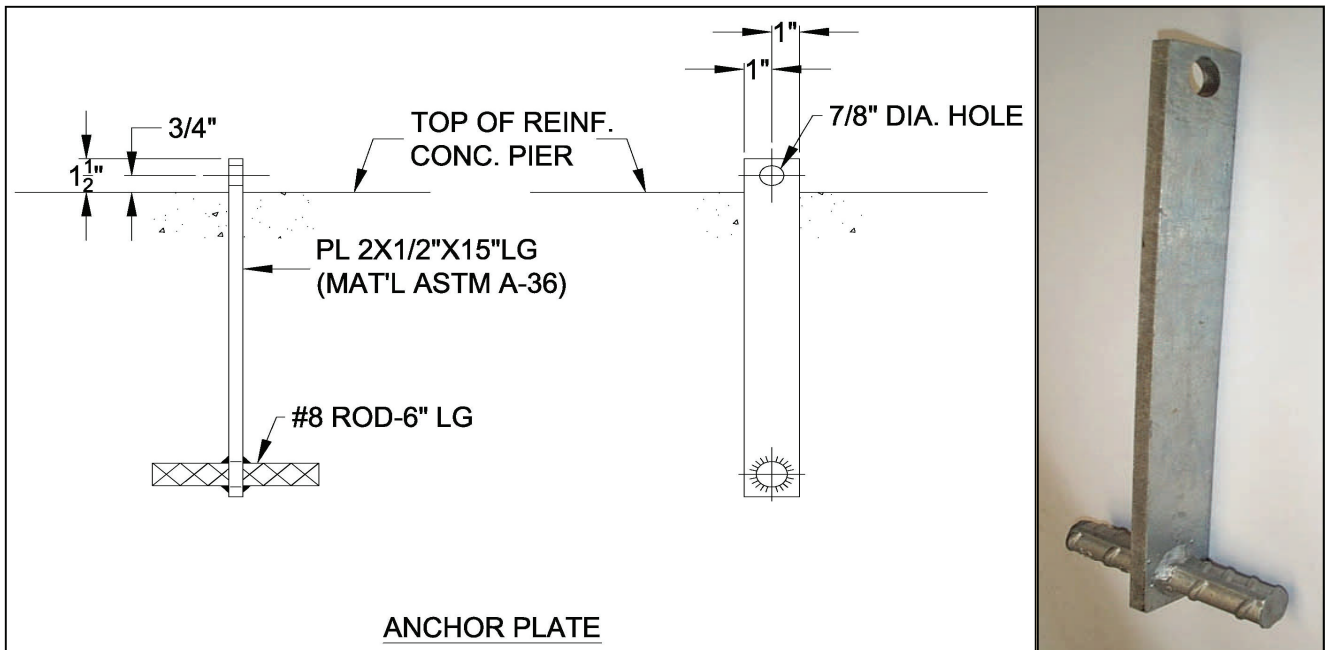




L.I.R. Anchor Plate

for
MG-20, MG-30, MG-40,



It is recommended for masts 10 feet and taller to use L-5005 Lifting Device for raising/lowering the LIR MG & Specialty Masts.

This requires L-5004 Anchor Plate.

Care must be taken when pouring the foundation that the L-5004 Anchor Plate is positioned correctly per FAA Drawing D-6155-19.

Masts under 10 feet or installed with the non-tilt Z base do not need an anchor plate, as they will not use the L-5005 Lifting Device.

JAQUITH INDUSTRIES INC
600 East Brighton Ave
PO Box 780
Syracuse, NY 13205 USA

Phone: 315-478-5700
Fax: 315-478-5707
Web site: www.jaquith.com
Email: sales@jaquith.com

Shipping Weight
L-5004 5.5 lb
Hot Dip Galvanized