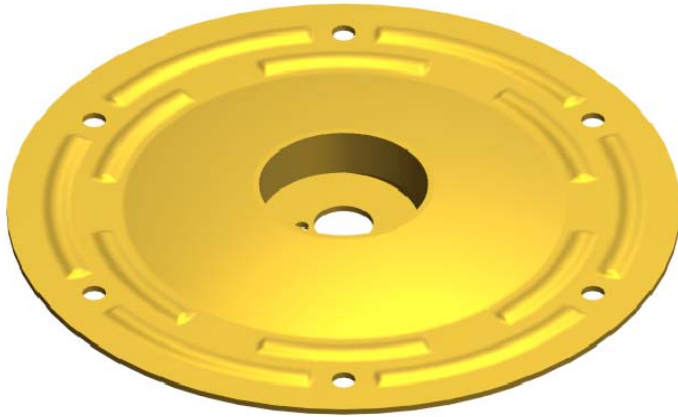
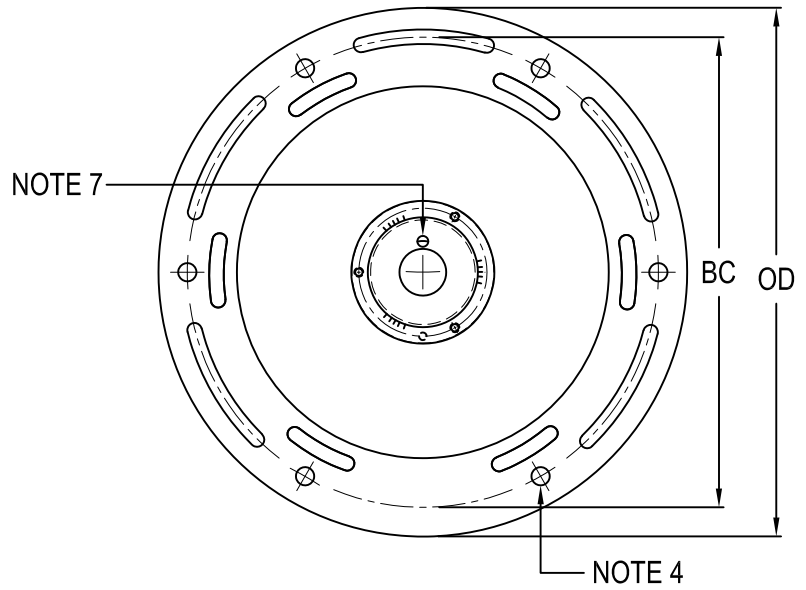
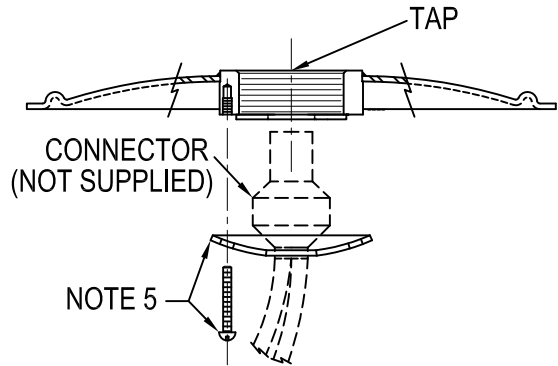


Corten Base Plate

SYRACUSE, NEW YORK - SALES@JAQUITH.COM (315) 478 - 5700 WWW.JAQUITH.COM



L-894 Corten Base Plate



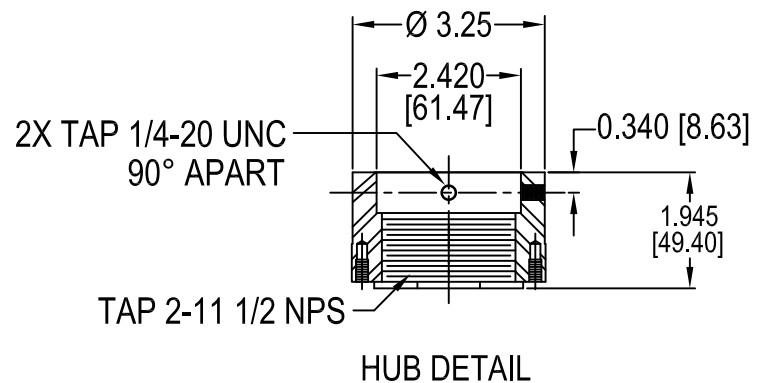
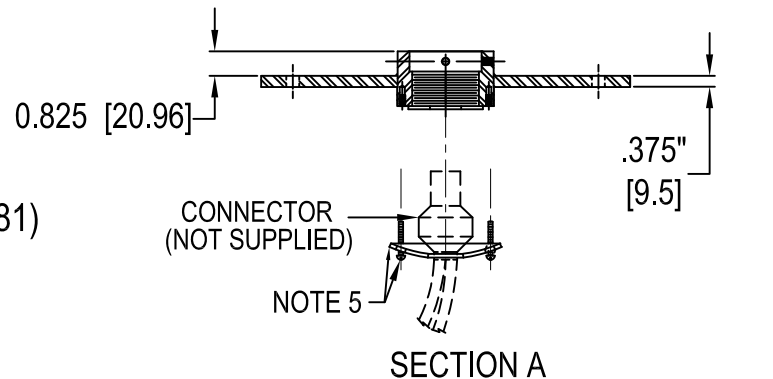
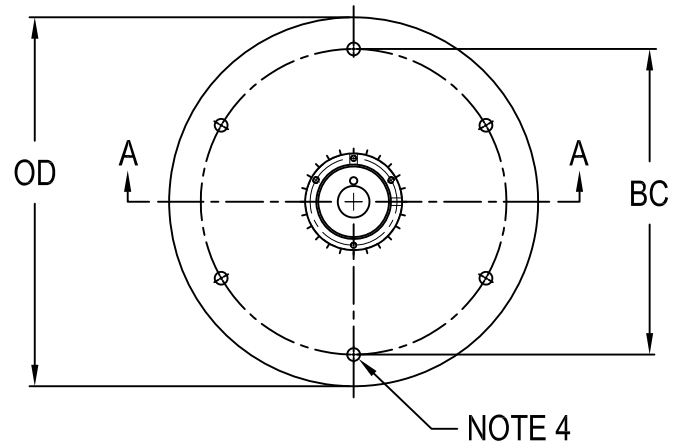
1. Approved and Certified to FAA Advisory Circular AC 150/5345-42 (Current Revision)
Size: B=12", D=16"
2. Material: .109" min. thickness Corten A606 steel
3. Finish: Aviation yellow powder coat
4. (6) 7/16" Ø equally spaced, thru holes
5. Base plate shipped with:
Neoprene gasket:
AP1932/1935 & AP1942/1945 12" (10530287)
AP2932/2935 16" (10530281)
Hardware packup #6120 which contains:
(1) 3 hole cable clamp (8089)
(3) #10-24 x 1 1/2" SS machine screws (10670781)
6. Grounded version available (see p.K-01f)
Add "G" suffix to part number
7. (1) 1/4" Ø Weep Hole Standard
8. Other thread types available (e.g. 2"-11 BSP)

TYPE	OD	BC	TAP
AP1932	12"	10.25"	2" NPS
12" L867B	[304.8]	[260.4]	[50.8]
AP1935	12"	10.25"	1 1/2"-12 NF
12" L867B	[304.8]	[260.4]	[38.1]
AP1942	12"	11.25"	2" NPS
12" L867B	[304.8]	[285.8]	[50.8]
AP1945	12"	11.25"	1 1/2"-12 NF
12" L867B	[304.8]	[285.8]	[38.1]
AP2932	16"	14.25"	2" NPS
16" L867D	[406.4]	[362]	[50.8]
AP2935	16"	14.25"	1 1/2"-12 NF
16" L867D	[406.4]	[362]	[38.1]

[] = dimensions in metrics; mm.

Extended Hub Base Plate

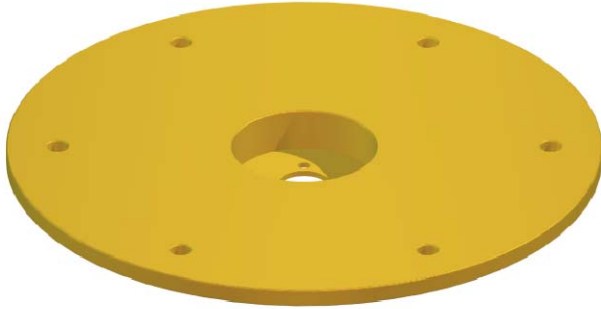
1. Approved and Certified to FAA Advisory Circular AC 150/5345-42 (Current Revision)
Size: B=12", D=16"
 2. Material: A36 HR Steel
 3. Finish: Aviation yellow powder coat
 4. (6) 7/16" Ø equally spaced, thru holes
 5. Base plate shipped with:
Neoprene gasket:
AP 1832/1835 12" (10530287) , 16" (10530281)
(2) 1/4-20 UNC x 1" stainless hex head bolt
- Hardware packup #6120 which contains:
(1) 3 hole cable clamp (8089)
(3) #10-24 x 1 1/2 stainless machine screws (10670781)
6. Grounded version available. (see K-01h for details) Add "G" suffix to Item Number.
(ex: AP1832EHG)



TYPE	OD	BC	TAP
AP1832EH	12.375"	10.25"	2" NPS
12" L867B	[314.3]	[260.4]	[50.8]
AP2832EH	16"	14.25"	2" NPS
16" L867D	[406.4]	[362]	[50.8]

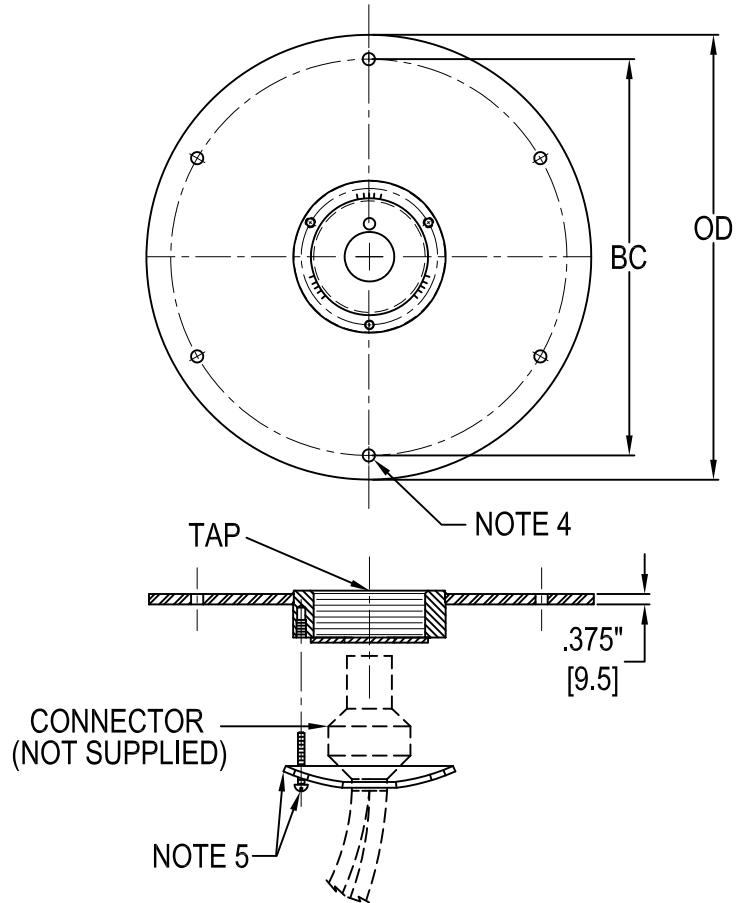
[] = dimensions in metrics; mm

Standard Base Plate



L-894 Standard Base Plate

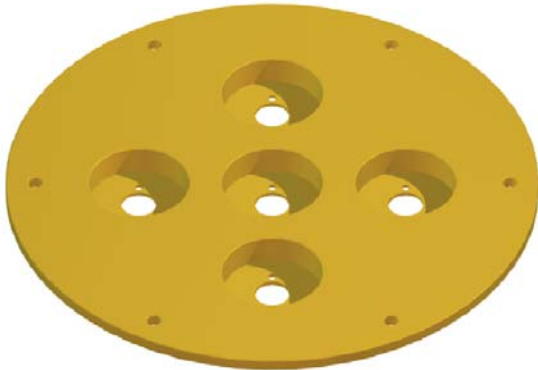
1. Approved and Certified to FAA Advisory Circular AC 150/5345-42 (Current Revision)
Size: B=12", D=16"
2. Material: A36 Steel
3. Finish: Aviation yellow powder coat
4. (6) 7/16" Ø equally spaced, thru holes
5. Base plate shipped with:
Neoprene gasket:
AP 1832/1835 12" (10530287)
AP 2832/2835 16" (10530281)
Hardware packup #6120 which contains:
(1) 3 hole cable clamp (8089)
(3) #10-24 x 1 1/2 SS machine screws (10670781)
6. Grounded version available (see p.K-01h)
Add "G" suffix to part number
7. Approved to support elevated Guard lights
8. Multiple opening available. See Dwg # C-03



TYPE	OD	BC	TAP
AP1832	12.375"	10.25"	2" NPS
12" L867B	[314.3]	[260.4]	[50.8]
AP1835	12.375"	10.25"	1 1/2"-12 NF
12" L867B	[314.3]	[260.4]	[38.1]
AP1842	12.375"	11.25"	2" NPS
12" L868B	[314.3]	[285.8]	[50.8]
AP1845	12.375"	11.25"	1 1/2"-12 NF
12" L868B	[314.3]	[285.8]	[38.1]
AP2832	16"	14.25"	2" NPS
16" L867D	[406.4]	[362]	[50.8]
AP2835	16"	14.25"	1 1/2"-12 NF
16" L867D	[406.4]	[362]	[38.1]

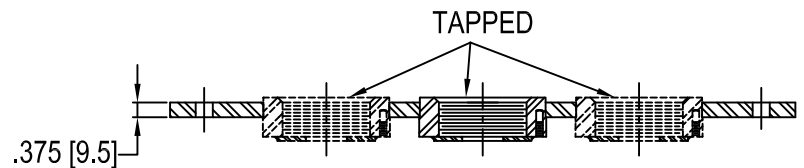
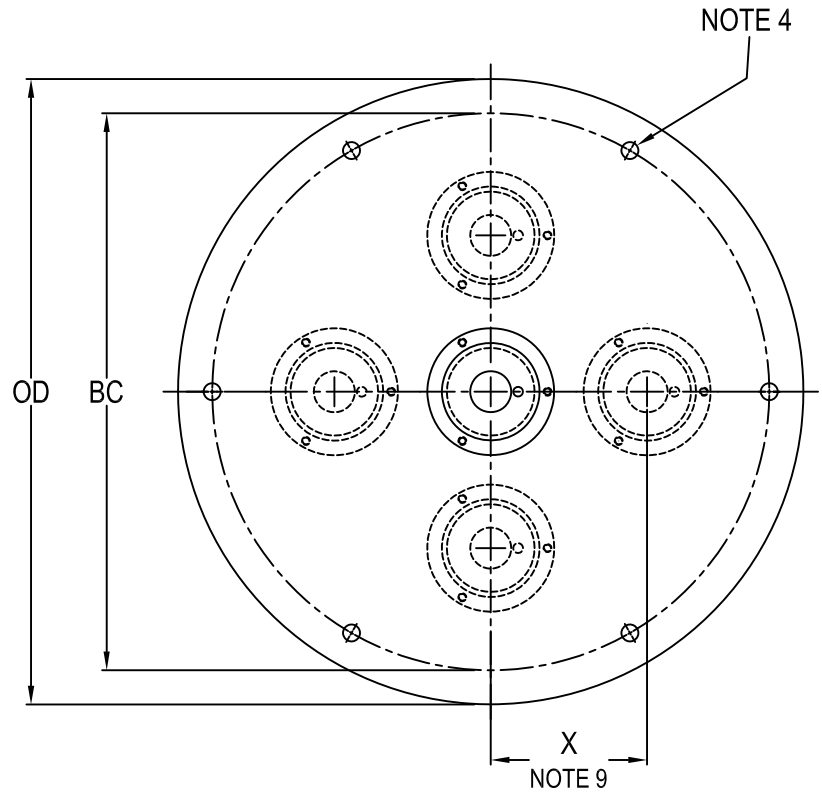
[] = dimensions in metrics; mm

Multiple Opening Base Plate



L-895 Multiple Opening Base Plate

1. Approved and Certified to FAA Advisory Circular AC 150/5345-42 (Current Revision)
Size: B=12", D=16"
2. Material: A36 Steel
3. Finish: Aviation yellow powder coat
4. (6) 7/16" Ø equally spaced, thru holes
5. Base plate shipped with:
Neoprene gasket:
AP 1832/1835 12" (10530287)
AP 2832/2835 16" (10530281)
Hardware packup #6120 per opening contains:
(1) 3 hole cable clamp (8089)
(3) #10-24 x 1 1/2 SS machine screws (10670781)
6. Grounded version available (see p.K-01f)
Add "G" suffix to part number

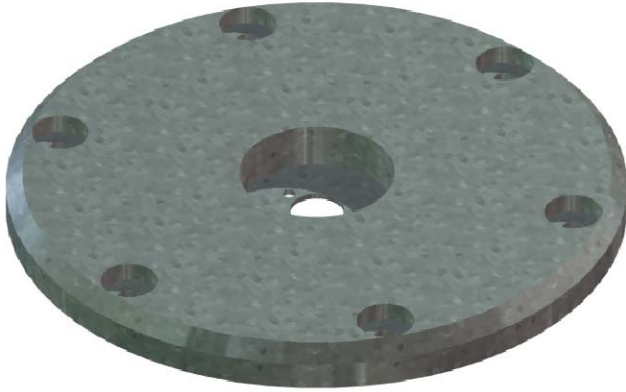
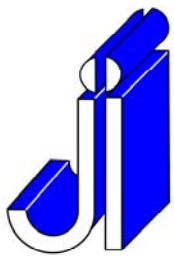


7. Approved to support elevated Guard lights
8. Available with 2, 3, 4, or 5 openings. Consult factory
Must specify position
12" - Maximum 3 X = 2" [50.8] Maximum Spacing
16" - Maximum 5 X = 4" [101.6] Maximum Spacing

Part No. Example: A 16" diameter Base Plate with (3) openings is an AP28323.

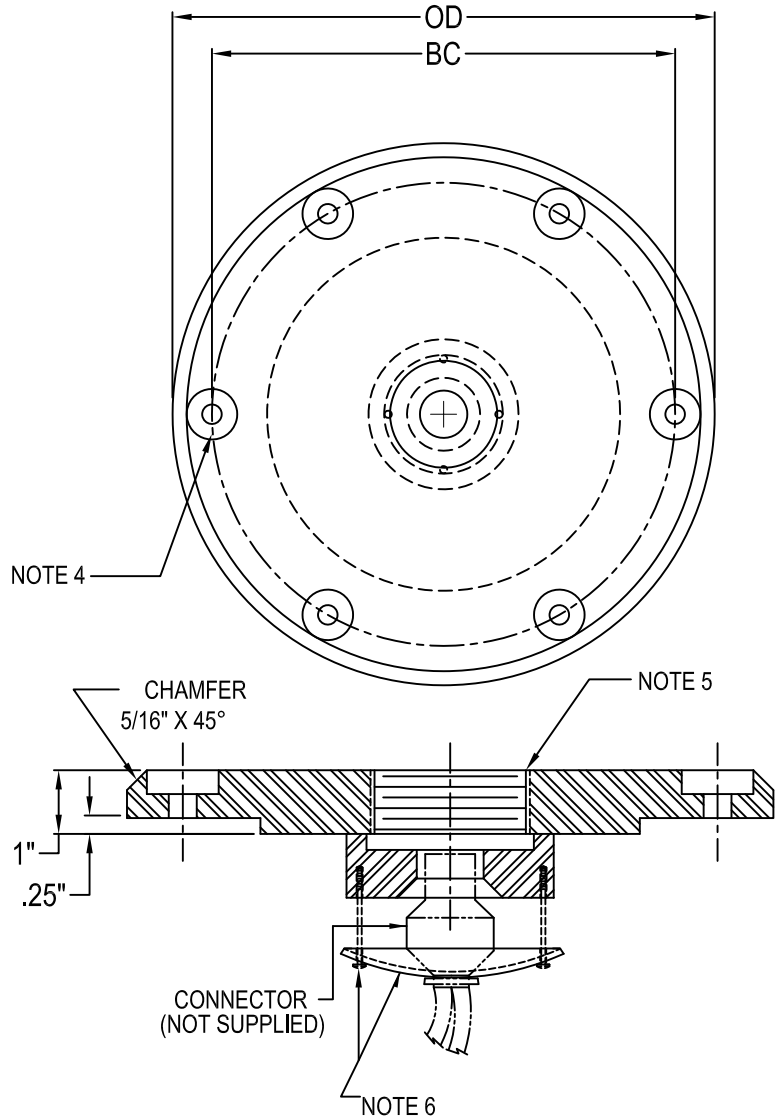
TYPE	OD	BC	TAP
AP1832_	12.375"	10.25"	2" NPS
12" L867B	[314.3]	[260.4]	[50.8]
AP2832_	16"	14.25"	2" NPS
16" L867D	[406.4]	[362]	[50.8]

[] = dimensions in metrics; mm



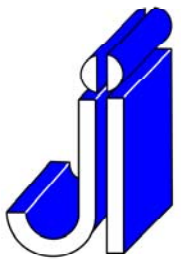
USAF Military Base Plate

1. Manufactured in accordance to Military Specifications MIL B-8954 A
2. Material: A572 Grade 50 Steel
3. Base plate is galvanized to ASTM-A123/A123M
4. (6) 7/16" Ø equally spaced, thru holes with 1 1/8" Ø x 3/8" deep counter bore
Specify 10 1/4" Or 11 1/4" bolt circles per chart
5. Available with (2) tap sizes: 2"-11 1/2 NPS or 1"-1/2-12 UNF
6. Packed with:
Neoprene gasket (10530287)
Hardware packup #6118 which contains:
(6) 3/8"-16 x 1 1/4" Stainless hex head cap screws (10650202)
(6) seal washers (AW0914)
Hardware packup #6122 which contains:
(1) four hole cable clamp (8092)
(4) #10-24 x 1 1/2" SS machine screws (10670781)



TYPE	OD	BC	TAP
AP1402 MIL B-8954A 12"	12" [304.8]	10.25" [260.4]	2" NPS [50.8]
AP1412 MIL B-8954A 12"	12" [304.8]	11.25" [285.8]	2" NPS [50.8]
AP1405 MIL B-8954A 12"	12" [304.8]	10.25" [260.4]	1 1/2" NPS [38.1]
AP1415 MIL B-8954A 12"	12" [304.8]	11.25" [285.8]	1 1/2" NPS [38.1]

[] = dimensions in metrics; mm.

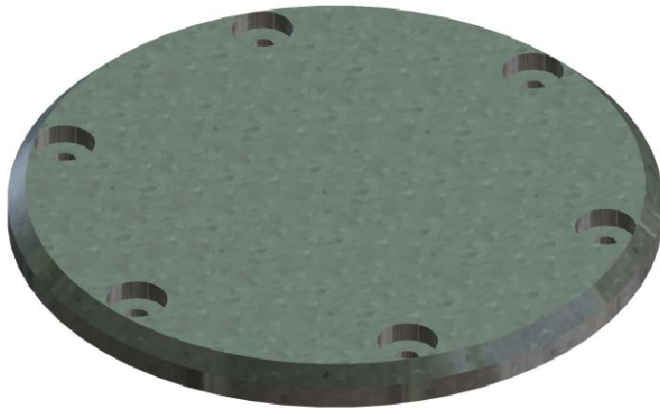


JAQUITH
INDUSTRIES INC.

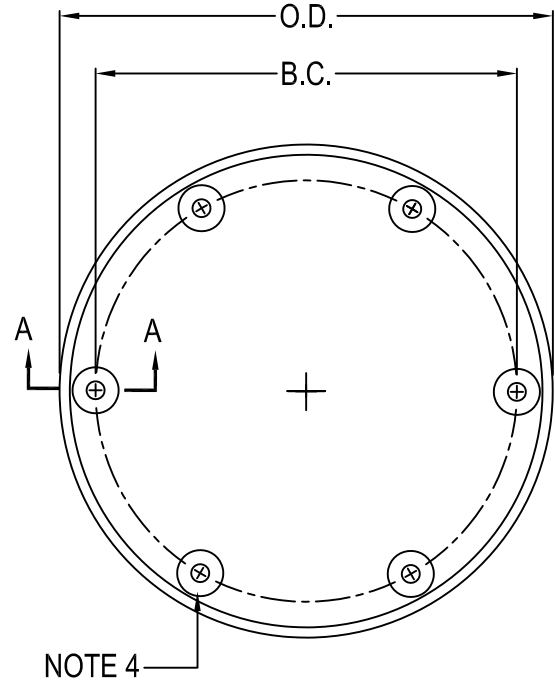


USAF Military Cover Plate

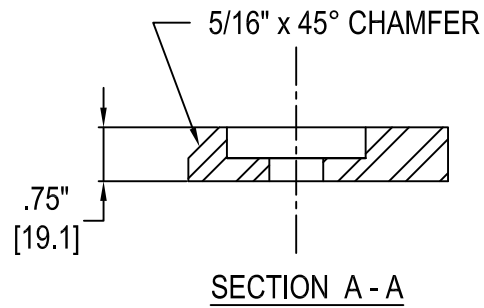
SYRACUSE, NEW YORK - SALES@JAQUITH.COM (315) 478 - 5700 WWW.JAQUITH.COM



USAF Military Cover Plate



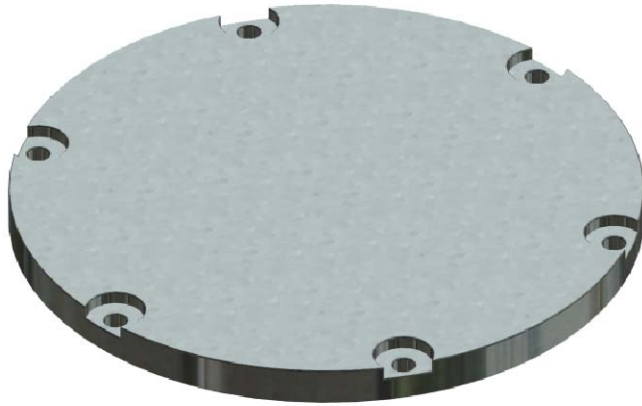
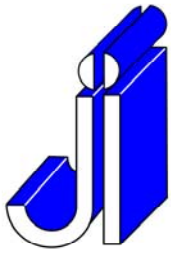
1. Manufactured in accordance to Military Specifications MIL B-8954 A
2. Material: A572 Grade 50 Steel
3. Cover plates are galvanized to ASTM-A123/A123M
4. (6) 7/16" equally spaced, thru holes with 1 1/8" \varnothing x 3/8" deep counter bore
5. Cover Plate shipped with:
Neoprene Gasket:
AK1400 (10530287)
AK1410 (10530287)
AK1450 (10530863)
Hardware Packup #6118 each contains:
(6) 3/8"-16 x 1 1/4" Stainless hex head cap screws (10650202)
(6) 3/8" seal washers (AW0914)



TYPE	OD	BC
AK1400	12"	10.25"
MIL B-8954		
MS-26580	[304.8]	[260.4]
AK1410	12"	11.25"
MIL B-8954		
MS-26580	[304.8]	[285.8]
AK1450	17.375"	14.25"
MIL B-8954		
MS-26580-2	[441.33]	[362]

[] = dimensions in metrics; mm

C-05h (rev 0)



Cover Plate

- Approved and Certified to FAA Advisory Circular AC150/5345-42 (Current Revision);
L867 B,D,E; L868 A,B,C
Size: A=8", B=12", C=15", D=16", E=24"

- Material:
AK series (1A) = Galvanized A-36 to ASTM-A123/A123M-02
AK series (1B) = AK series with VEGA™-KOTE proprietary coating (w/"VK" suffix)

AKS series (1B) = 304 Stainless Steel

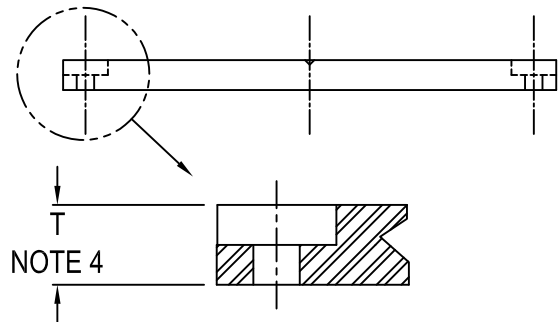
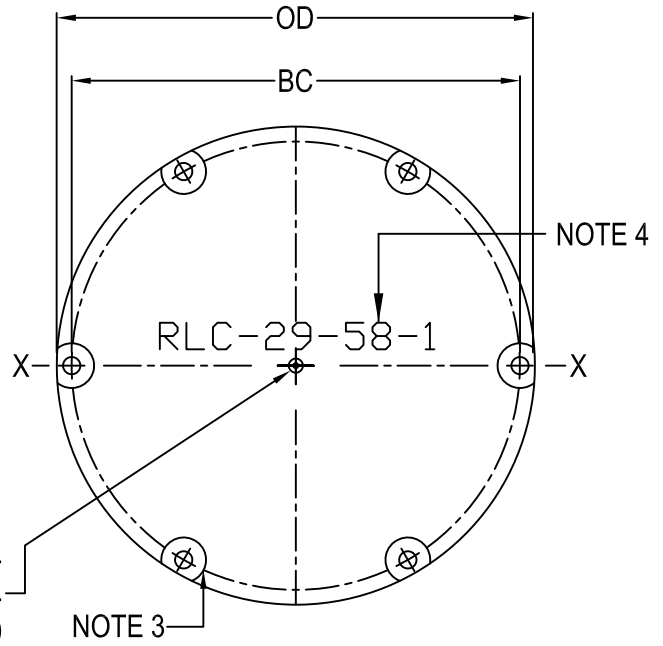
- (6) 7/16" Ø equally spaced, thru holes. (NOTE: 8" L868A covers do not have holes on X-X axis)
For covers thicker than .75", (2) opposite holes (0°, 180°) must be tapped 1/2-13.
Ø1 1/8" x 3/8" deep counter bore on L868 covers 1/2" & thicker
Ø1 1/8" x 1/4" deep counter bore on L867 covers 1/2" & thicker

- Contact factory for variations:

- GROUNDING
- ENGRAVED MARKINGS
- THREADED OPENINGS
- THICKER SIZES
- CENTER DRILLED

Note: T = thickness in 1/16ths
(ex. AK400012 is 3/4" thick)

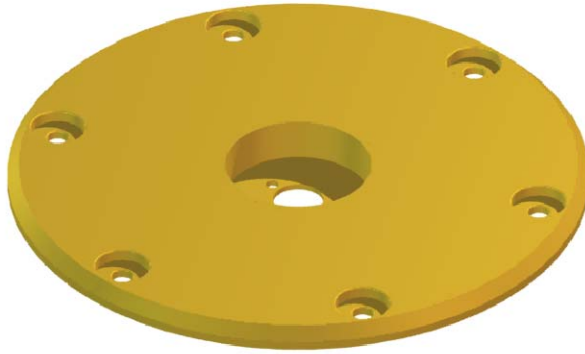
- Bolts and Gaskets NOT included.



TYPE	Part Number	Class	min.T	BC	OD
12" L867B	AK10_____	1A	.375"	10.25"	13.5"
	AK10_____VK	1B	[9.5]	[260]	[343]
	AKS10_____	1B			
16" L867D	AK20_____	1A	.375"	14.25"	17.375"
	AK20_____VK	1B	[9.5]	[362]	[441]
	AKS20_____	1B			
24" L867E	AK70_____	1A	.5"	21.5"	24"
	AK70_____VK	1B	[12.7]	[546.1]	[609.6]
	AKS70_____	1B			
8" L868A	AK80_____	1A	.75"	7.25"	8"
	AK80_____VK	1B	[19.1]	[184.2]	[203.2]
	AKS80_____	1B			
12" L868B	AK40_____	1A	.75"	11.25"	12"
	AK40_____VK	1B	[19.1]	[285.8]	[304.8]
	AKS40_____	1B			
15" L868C	AK50_____	1A	1.25"	14.25"	15"
	AK50_____VK	1B	[31.75]	[362]	[381]
	AKS50_____	1B			

[] = dimensions in metrics; mm

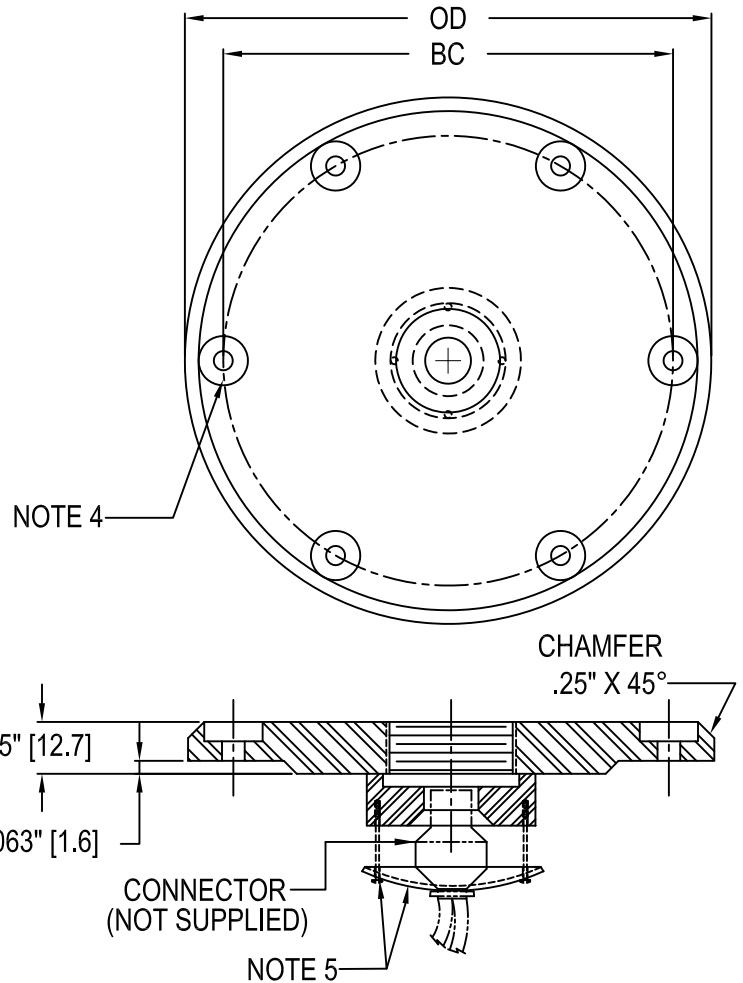
Base Plate Port Authority N.Y. & N.J.



Port Authority Base Plate

1. Approved and Certified to FAA Advisory Circular AC 150/5345-42 (Current Revision) with modifications for Port Authority - N. Y. & N. J. Standards
2. Material: ASTM A36 Steel
3. Finish: Aviation yellow powder coat
4. (6) 7/16" Ø equally spaced, thru holes with 1 1/8" Ø x 1/4" deep counter bore
5. Base plate shipped with:
Neoprene gasket:
12" (10530287)
16" (10530281)
Hardware packup #6117 which contains:
(6) 3/8"-16 SS x 1 1/4" Stainless hex head cap screws (10650202)
(6) Bartite seal washers (10680173)
Hardware packup #6122 which contains:
(1) four hole cable clamp (8092)
(4) #10-24 x 1 1/2" SS machine screws (10670781)

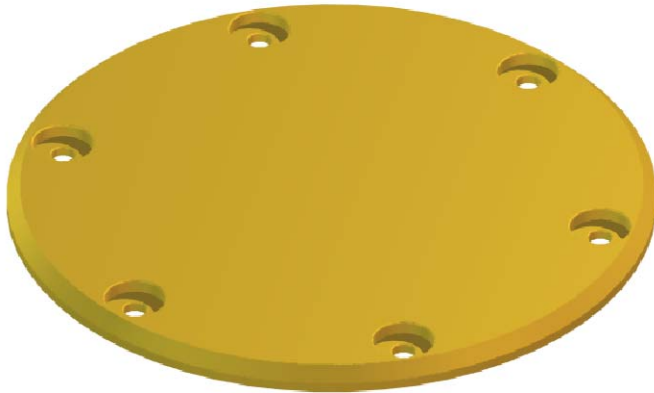
6. Approved to support elevated Guard lights



TYPE	OD	BC	TAP
AP1602	12"	10.25"	2" NPS
12" L8687B	[304.8]	[260.4]	[50.8]
AP1605	12"	10.25"	1 1/2"-12 NF
12" L8687B	[304.8]	[260.4]	[38.1]
AP2602	16.00"	14.25"	2" NPS
16" L8687D	[406.4]	[362]	[50.8]
AP2605	16.00"	14.25"	1 1/2"-12 NF
16" L8687D	[406.4]	[362]	[38.1]

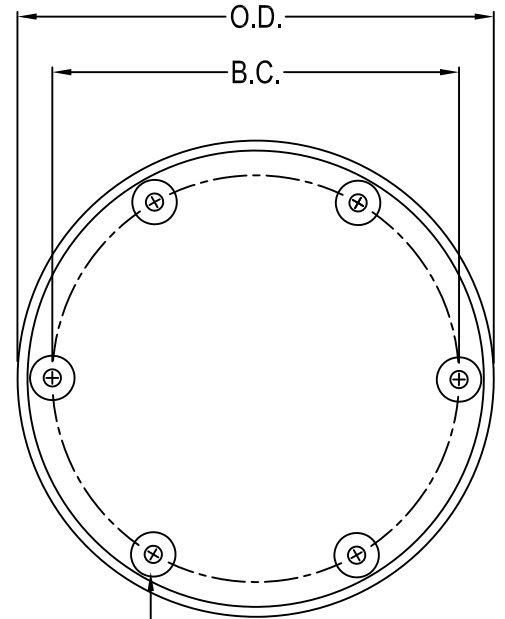
[] = dimensions in metrics; mm.

Cover Plate Port Authority N.Y. & N.J.

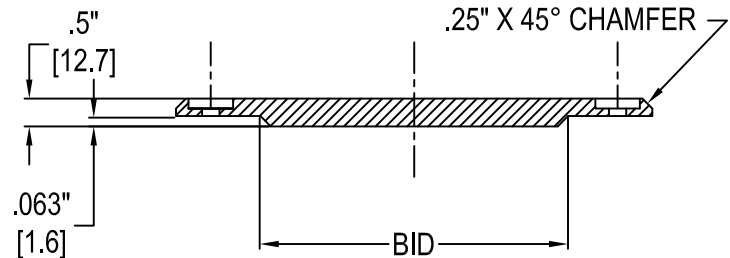


Port Authority Cover Plate

1. Approved and Certified to FAA Advisory Circular AC 150/5345-42 (Current Revision) with modifications for Port Authority - N.Y. & N.J. Standards
2. Material: ASTM A36 Steel
3. Finish: Aviation Yellow powder coat
4. (6) 7/16" Ø equally spaced, thru holes with 1 1/8" Ø x 1/4" deep counter bore
5. Cover Plate shipped with:
Neoprene Gasket (10530287)
Bolt packup #6117 which contains:
(6) 3/8"-16 x 1 1/4" Stainless hex head cap screws (10650202)
(6) 3/8" Bartite washers (10680173)
6. Grounded version available (see p.K-01f)
Add "G" suffix to part number



NOTE 4

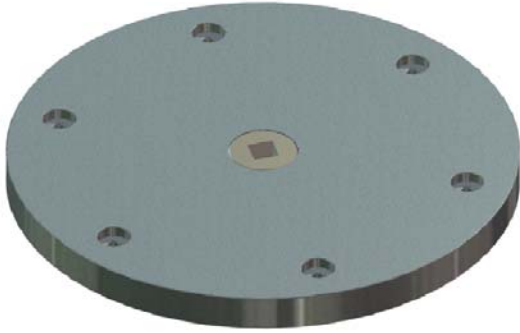


TYPE	OD	BID	BC
AK1600 12" L867B	12"	7.75"	10.25"
	[304.8]	[196.9]	[260.4]
AK2600 16" L867D	16.00"	12.125"	14.25"
	[406.4]	[308.0]	[362]

[] = dimensions in metrics; mm

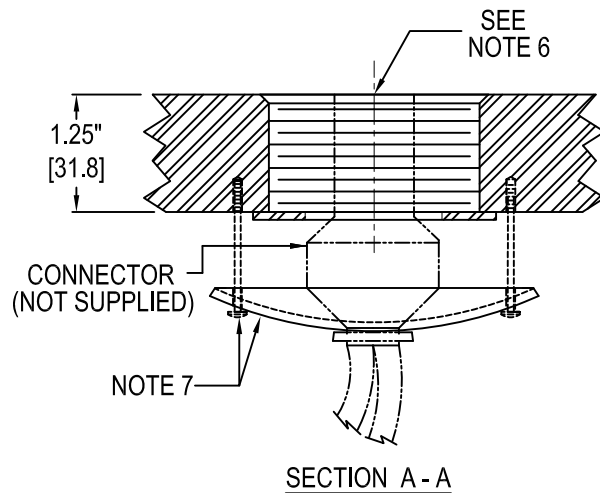
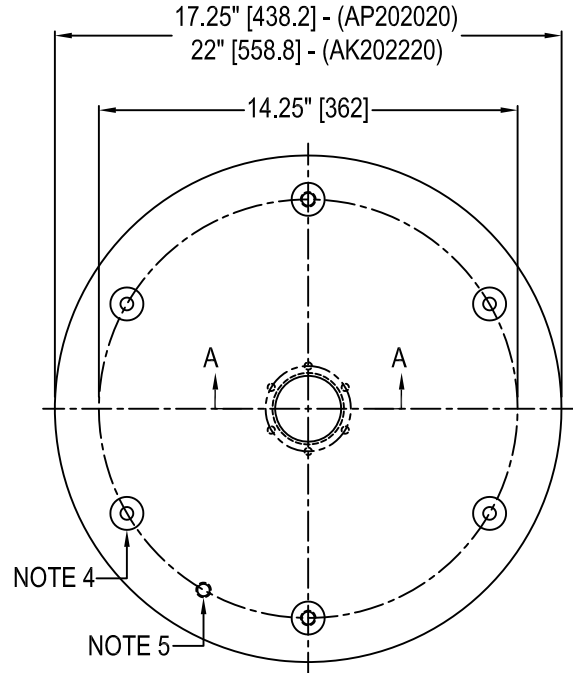
C-08h (rev 0)

Type 'A' Heavy Cover Plate

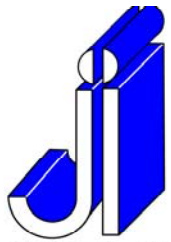


Type 'A' Heavy Cover Plate

1. Manufactured in accordance to FAA D-5225 Specifications
2. Material: A572 Grade 50 Steel
3. Cover plate is galvanized to ASTM-A123/A123M-02
4. AP202020: (6) 7/16" Ø equally spaced, thru holes with 1 1/8" Ø x 3/8" deep counter bore
AK202220: (6) 9/16" Ø equally spaced, thru holes with 1 3/8" Ø x 3/8" deep counter bore
5. (1) 1/2"-13, 3/4" deep Lifting hole, with 1/2"-13 x 1/2" SS hex socket set screw installed flush with top surface
AK202220 ONLY
6. 2" NPS [50.8] Tap
(1) 2" pipe plug (10700318) installed
Omit tapped center hole in **(AK202220)**
7. Cover plate shipped with:
Bolt packup #6114 **(AP202020 ONLY)** which contains:
(6) 3/8"-16 x 1 1/2" Stainless hex head bolts (10651875)
Hardware packup #6120 which contains:
(1) 3 hole cable clamp (8089)
(3) #10-24 x 1 1/2" SS machine screws (10670781)
Interface washer packup #6125 which contains:
(1) SS Interface washer (8102)
(3) #10-24 x 3/8" Stainless hex head cap screws (10653091)
(AK202220 hardware packup not included)
8. May be supplied with additional openings
(2, 3, 4, or 5) as required
9. Grounded version available (see p.K-01f)
Add "G" suffix to part number



[] = dimensions in metrics; mm.



JAQUITH
INDUSTRIES INC.



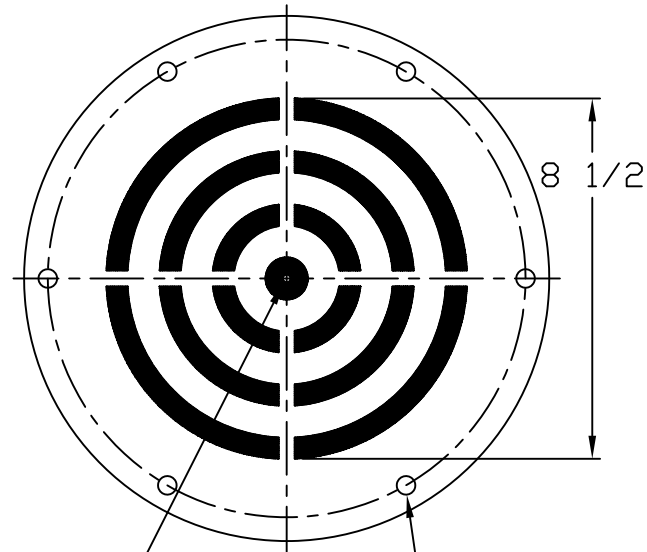
SYRACUSE, NEW YORK - SALES@JAQUITH.COM (315) 478 - 5700 WWW.JAQUITH.COM

Mud Plate For L867 & L868 Light Bases



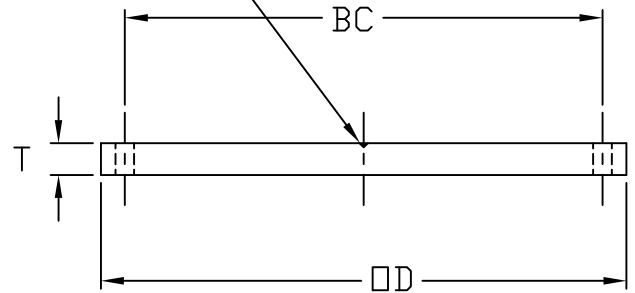
Mud Plate

1. Approved and Certified to FAA Advisory Circular AC150/5345-42 (Current Revision)
Size: A=8", B=12", C=15", D=16"
2. Material: ASTM A36 Hot Rolled Steel
Finish : T = thickness of .75"
hot dip galvanized with yellow painted target, 1/2" wide concentric rings, and center punch mark.
Mud plates with T = thickness of .75" are required if mud plates installed longer than two months or direct aircraft rollover is anticipated
3. (6) Ø7/16" thru holes, equally spaced



PRICK PUNCH
(DIMPLE)

NOTE 3

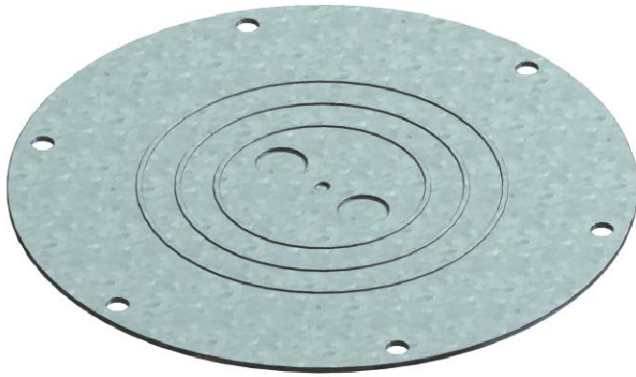


TYPE	T	OD	BC
AK400112	.75"	12.375"	10.25"
12" L868B	[19.1]	[314.3]	[260.4]
AK400112X	.75"	12.375"	11.25"
12" L868B	[19.1]	[314.3]	[285.8]

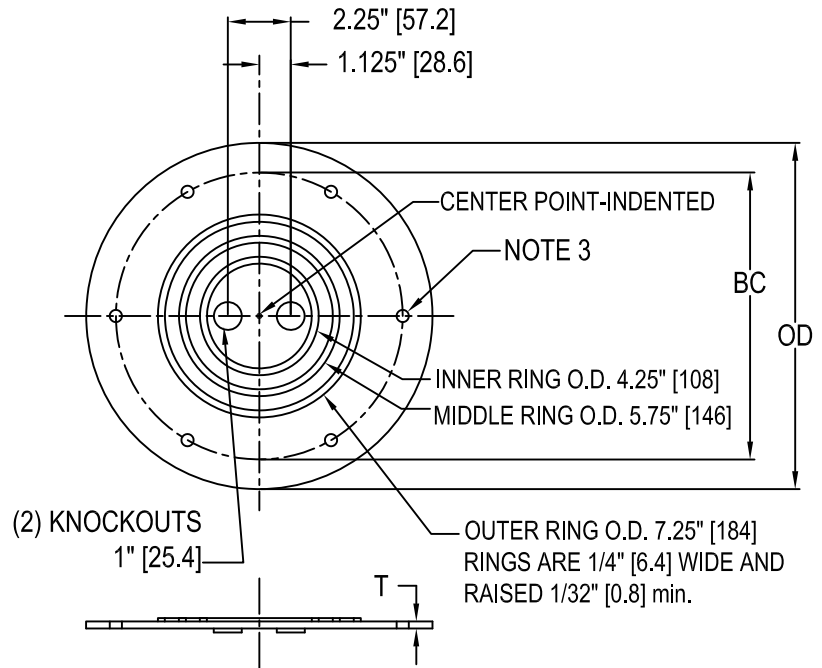
[] = dimensions in metrics; mm

C-10.1h (rev 0)

Mud Plate For L867 & L868 Light Bases



Mud Plate



1. Approved and Certified to FAA Advisory Circular AC150/5345-42 (Current Revision)
Size: A=8", B=12", C=15", D=16"

2. Finish : T = thickness of .125"
are galvanized steel with raised target, center punch mark & knockouts
* Finish : T = thickness of .75"
are galvanized with painted target, and center punch mark.
Mud plates with T = thickness of .75" are required if mud plates installed longer than two months or direct aircraft rollover is anticipated

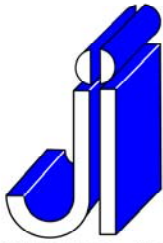
3. (6) Ø7/16" thru holes, equally spaced

TYPE	T	OD	BC
AM5417	.125"	12.375"	10.25"
12" L868B	[3.2]	[314.3]	[260.4]
12" L867B	[3.2]	[314.3]	[260.4]
AM5527	.125"	15.375"	14.25"
15" L868C	[3.2]	[390.5]	[362]
16" L867D	[3.2]	[390.5]	[362]
* AK400112	.75"	12.375"	10.25"
12" L868B	[19.1]	[314.3]	[260.4]
AM5727	.125"	23.00"	21.5"
24" L867E	[3.2]	[584.2]	[546.1]
AM5017	.125"	8.375"	6.25"
8" L868A	[3.2]	[212.7]	[158.8]
AM5027	.125"	8.375"	7.25"
8" L868A	[3.2]	[212.7]	[184.2]
AM5427	.125"	12.375"	11.25"
12" L868B	[3.2]	[314.3]	[285.8]
AM5517	.125"	15.375"	13.25"
15" L868C	[3.2]	[390.5]	[336.6]

[] = dimensions in metrics; mm

* SEE NOTE 2

C-10h (rev 0)



JAQUITH
INDUSTRIES INC.

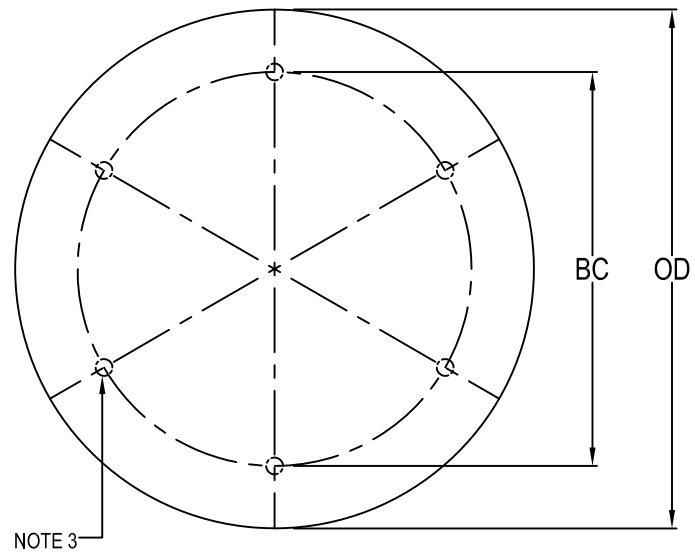


L-867 Exterior Plywood Cover

SYRACUSE, NEW YORK - SALES@JAQUITH.COM (315) 478 - 5700 WWW.JAQUITH.COM



L-867 Plywood Cover



NOTE 3

1. Approved and Certified to FAA Advisory Circular AC150/5345-42 (Current Revision) L867
2. Material: Exterior Grade Plywood
3. (6) 7/16" Ø equally spaced, thru holes



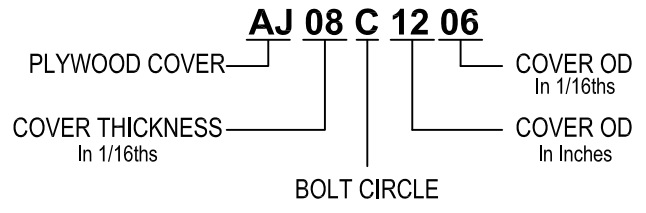
BOLT CIRCLE LETTERS:

- C = 10 1/4" Ø
- F = 14 1/4" Ø
- G = 21 1/2" Ø

Standard Plywood Thickness Tolerances:

- 1/2", 3/4" & 1 1/4" = +0 / -1/16
- 5/8" = +0 / -1/32

Tolerances on Non-Standard thicknesses are available upon request.



(ex. This cover is 1/2" Thick, w/ 10 1/4" Bolt Circle, and 12 3/8" OD)

[] = dimensions in metrics; mm.

L-868 Exterior Plywood Cover



L-868 Plywood Cover

1. Approved and Certified to FAA Advisory Circular AC150/5345-42 (Current Revision) L868
2. Material: Exterior Grade Plywood
3. (6) 7/16" Ø equally spaced, thru holes with 1 1/8" x 1/4" deep counter bore
NO counter bore on 5/8" covers
Holes "Z" eliminated on Size A covers
4. Edge and 1" minimum each side coated with Parafin

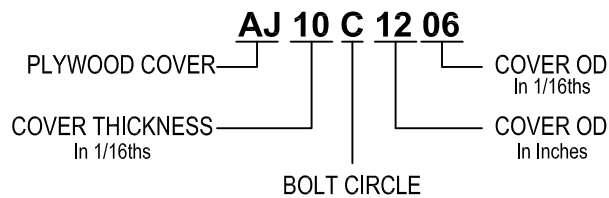
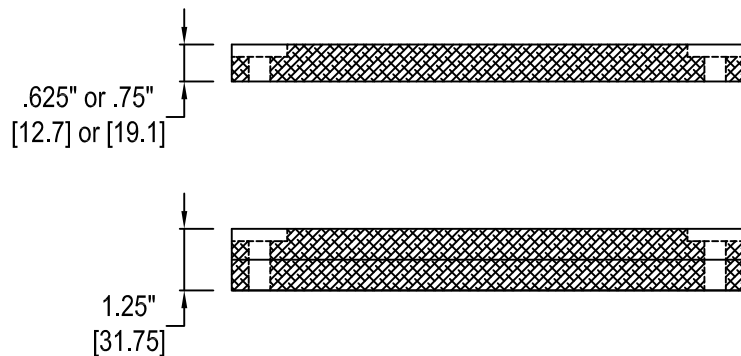
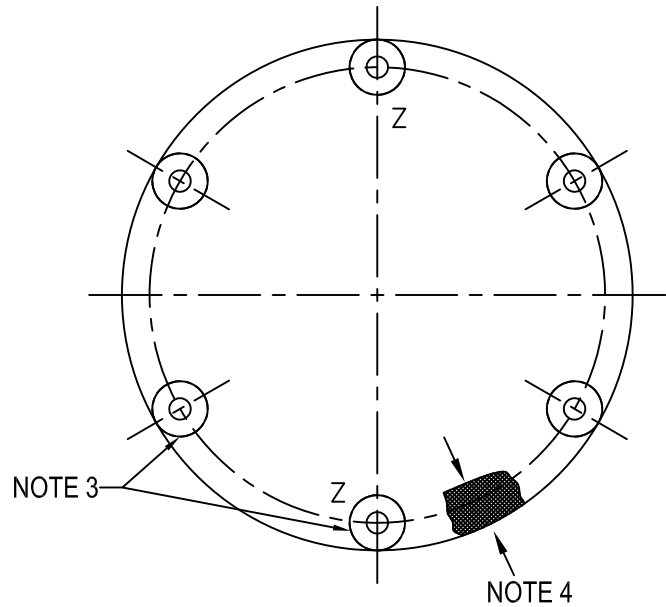
BOLT CIRCLE LETTERS:

- S = 7" Ø
- W = 7 1/4" Ø
- A = 8 1/4" Ø - (obsolete)
- B = 9 1/4" Ø
- C = 10 1/4" Ø
- D = 11 1/4" Ø
- E = 13 1/4" Ø
- F = 14 1/4" Ø

Standard Plywood Thickness Tolerances:

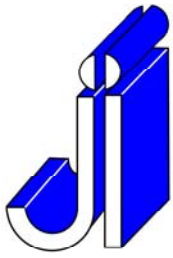
- 1/2", 3/4" & 1 1/4" = +0
-1/16
- 5/8" = +0
-1/32

Tolerances on Non-Standard thicknesses are available upon request.



(ex. This cover is 5/8" Thick, w/ 10 1/4" Bolt Circle, and 12 3/8" OD)

[] = dimensions in metrics; mm.



JAQUITH INDUSTRIES INC.



Plywood Cover for E-1315a Light Bases and E-2491 Inpavement Approach Lights

and

E-2491 Inpavement Approach Lights

SYRACUSE, NEW YORK - SALES@JAQUITH.COM (315) 478 - 5700 WWW.JAQUITH.COM



LB4a Plywood Cover

1. Approved and Certified to FAA Advisory Circular AC150/5345-42 (Current Revision) L868
2. Material: Exterior Grade Plywood
3. (6) 9/16" Ø equally spaced, thru holes with 1 3/8" x 1/4" deep counter bore
4. Edge and 1" minimum each side coated with Parafin

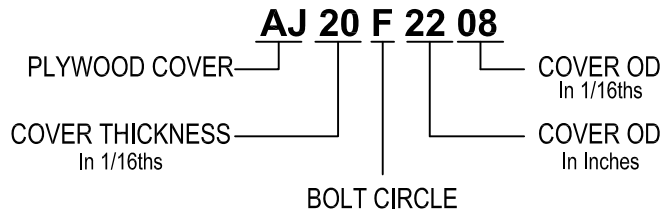
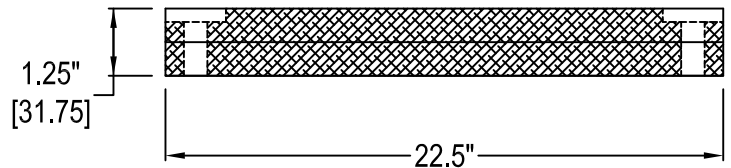
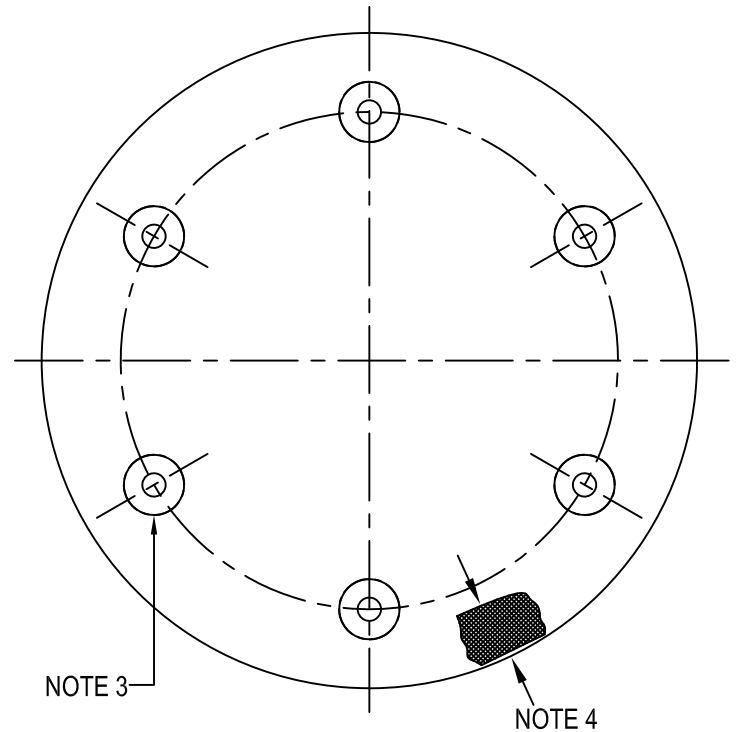
BOLT CIRCLE LETTERS:

F = 14 1/4" Ø

Standard Plywood Thickness Tolerances:

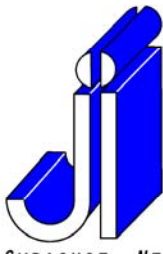
1/2", 3/4" & 1 1/4" = +0
-1/16
5/8" = +0
-1/32

Tolerances on Non-Standard thicknesses are available upon request.



(ex. This cover is 1 1/4" Thick, w/ 14 1/4" Bolt Circle, and 22 1/2" OD)

[] = dimensions in metrics; mm.

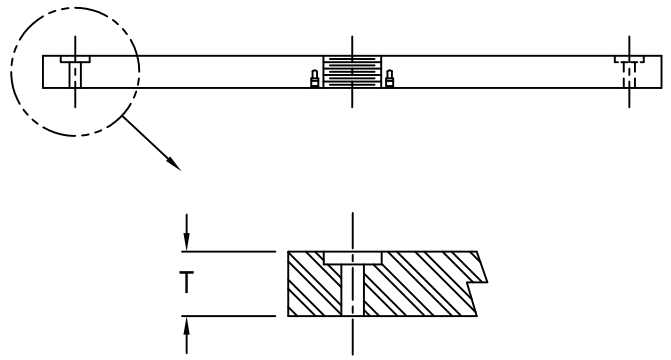
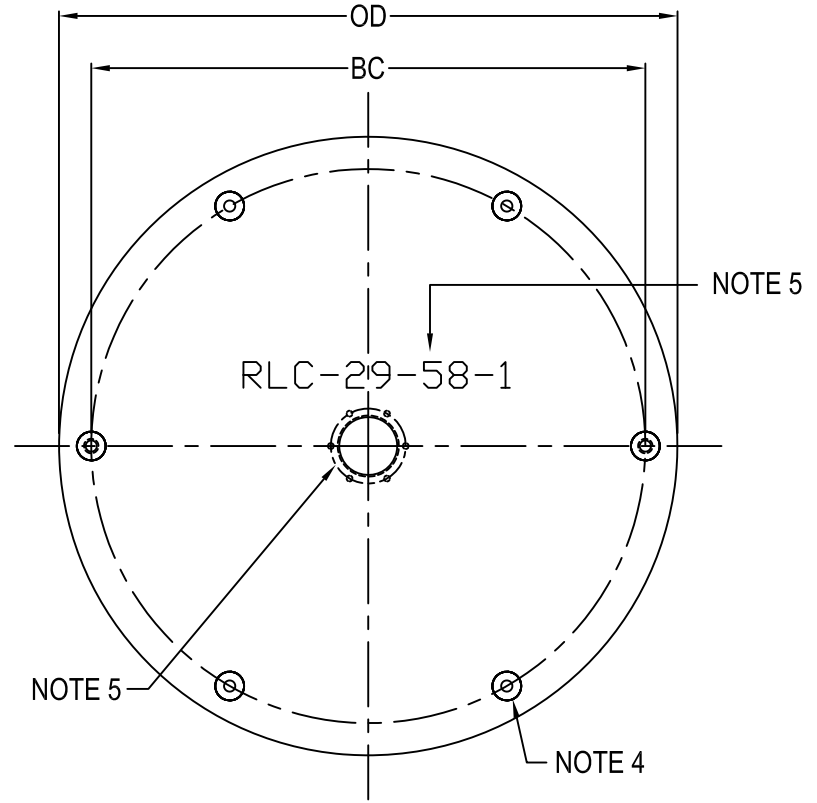


L-867E Aluminum Cover Plate



Aluminum Cover Plate
(shown with optional threaded center hole)

1. Conforms to FAA Advisory Circular AC150/5345-42H Size: E=24"
2. Material: Aluminum 6061-T6
3. Aluminum Cover plates are anodized
4. (6) 7/16" Ø equally spaced, thru holes with 1 1/8" Ø x 1/4" deep counter bore
Counter bore only on Covers 1/2" & thicker
(2) 1/2"-13 tapped holes, 180° apart
5. Contact factory for variations:
 - GROUNDING
 - ENGRAVED MARKINGS
 - TAPPED OPENINGS
 - THICKER SIZES
6. Aluminum Cover Plates,
Do Not Include Bolts or Gaskets



TYPE	* min. T	BC	OD
AK7000_AL	.5"	21.5"	24"
24" L867E	[12.7]	[546.1]	[609.6]

[] = dimensions in metrics; mm

L-894 Cover Plate With Recessed Threaded Hub



L-894 Cover Plate with Recessed Threaded Hub

1. Approved and Certified to FAA Advisory Circular
AC 150/5345-42 (Current Revision)
Size: B=12"

2. Material: A36 Steel

3. Finish: Hot Dip Galvanize per ASTM A123

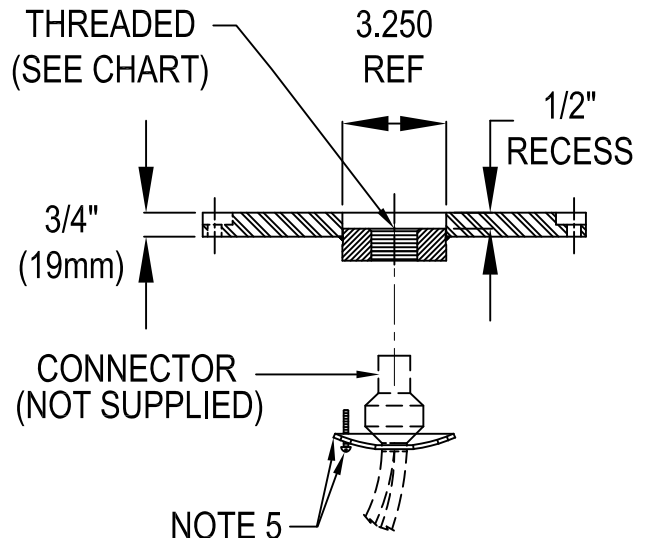
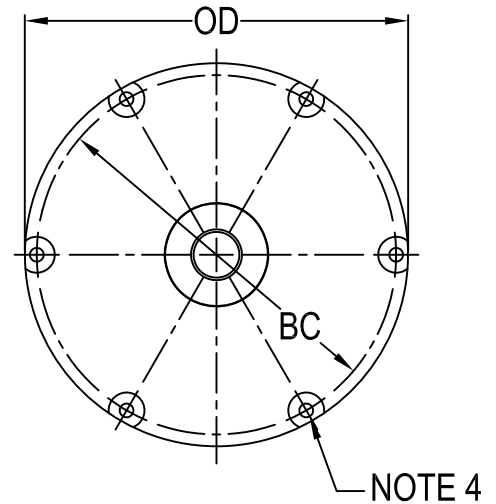
4. (6) 7/16" Ø holes equally spaced &
counterbored 1/8" dia. x 3/8" deep min.

5. Cover plate shipped with:
Hardware packup #6120 which contains:
(1) 3 hole cable clamp (8089)
(3) #10-24 x 1 1/2 SS machine screws (10670781)

6. Grounded version available (see p.K-01h)
Add "G" suffix to part number

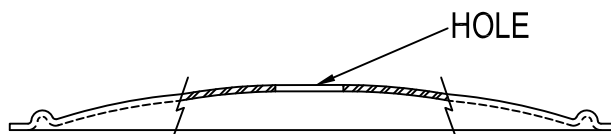
TYPE	OD	BC	TAP
AK400212R 12" L868B	12.000" [304.8]	11.25" [285.8]	2" NPS [50.8]
AK400512R 12" L868B	12.000" [304.8]	11.25" [285.8]	1 1/2"-12 NF [38.1]

[] = dimensions in metrics; mm



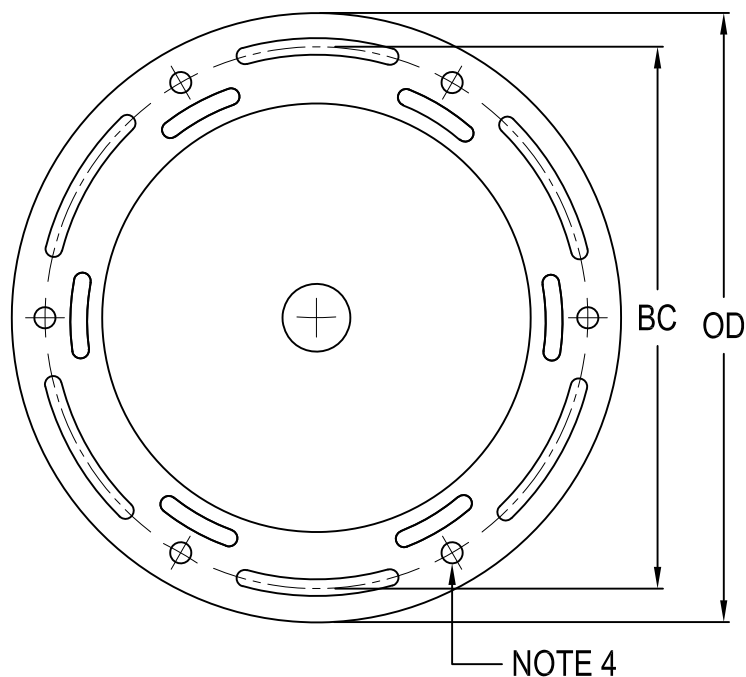
C-16h (rev 0)

L-894 Corten Base Plate With Center Hole



Corten Base Plate With Center Hole

1. Approved and Certified to FAA Advisory Circular AC 150/5345-42 (Current Revision)
Size: B=12"
2. Material: .109" min. thickness Corten A606 steel
3. Finish: Aviation yellow powder coat
4. (6) $\frac{7}{16}$ " \varnothing equally spaced, thru holes
5. Base plate shipped with:
Neoprene gasket



TYPE	OD	BC	HOLE
AP1930	12"	10.25"	1 11/32 \varnothing
12" L867B	[304.8]	[260.4]	[34.0]
AP1940	12"	10.25"	1 9/32 \varnothing
12" L867B	[304.8]	[260.4]	[32.5]

[] = dimensions in metrics; mm.