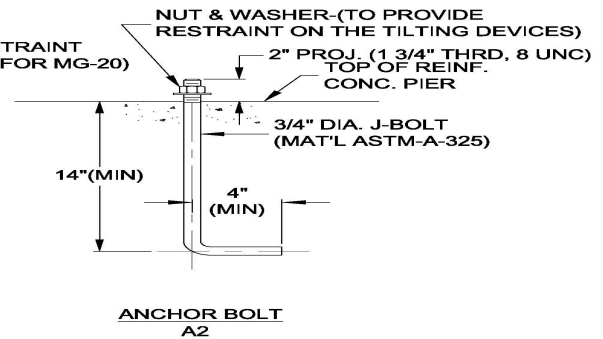
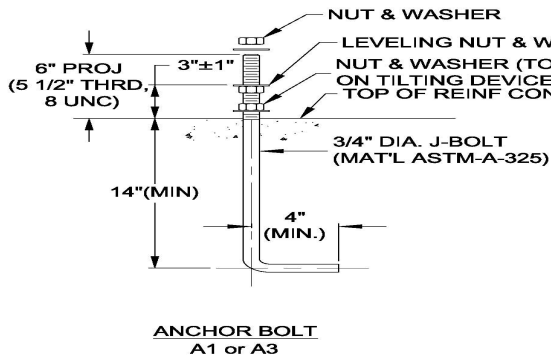




L.I.R. Anchor Bolts for MG-20 ~ MG-30 ~ MG-40

with or without Fuse bolts & Z Base



~ MG-20: L-5002: contains 4) A1 + 2) A2 Galv. anchor bolts & 10 ea nuts / washers

~ **MG-20 w/fuse bolts: L5002F 6) A2 Galv. Anchor bolts & 2 nuts & 10 washers**

~ MG-30/40: L-5003: consists of 6) A3 Galv. anchor bolts & 14 ea nuts / washers

~ **MG-30/40 w/fuse bolts: 8) A2 Galv. Anchor bolts & 2 nuts & 8 washers**

~ Z Base: L-5021: consists of 4) A1 Galv. anchor bolts & 8 ea nuts / washers

~ **Z Base w/fuse bolts: L5021F 4) A2 Galv. Anchor bolts & 8 washers**

USING FUSE BOLTS WITH MG-30/40 REQUIRES A DIFFERENT FOUNDATION DESIGN WITH USING 2) A2 ANCHOR BOLTS FOR LIFTING DEVICE,

It is recommended for masts 10 feet and taller to use L5005 Lifting Device for raising/lower the LIR Masts.

This requires L5004 Anchor Plate. If installation requires fuse/frangible bolts, see L-5023 data sheet.

Care must be taken when installing the L5004 Anchor plate correctly per FAA Drawing D-6155-19.

Masts under 10 feet or using the non-tilt Z base do not need the anchor plate or L5005 Lifting Device.

JAQUITH INDUSTRIES INC

600 East Brighton Ave

PO Box 780

Syracuse, NY 13205 USA

Phone: 315-478-5700

Fax: 315-478-5707

Web site: www.jaquith.com

Email: sales@jaquith.com

Shipping Weight

L-5002 L-5002F

L-5003 L-5003F

L-5021 L5021F