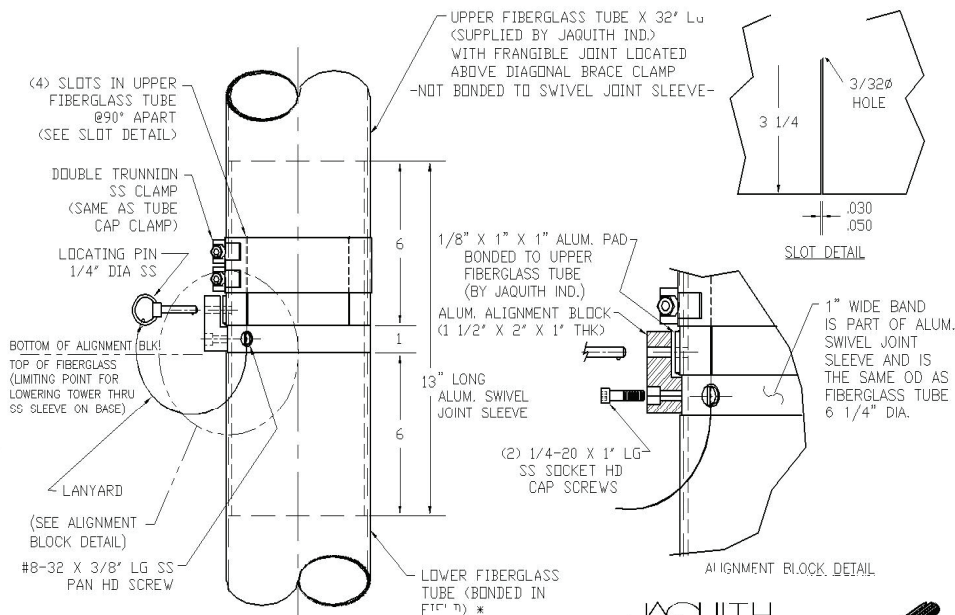




# L.I.R. L-9150

## Aluminum Swivel Joint

w/ aluminum mating surfaces



\* EXISTING MATERIAL ON SITE; ALL OTHER MATERIAL ON THIS DRAWING SUPPLIED BY JAQUITH IND.

**JAQUITH INDUSTRIES INC**  
 Syracuse, New York  
 315-478-5700 Fax 315-478-5707



Used when the LIR mast is lowered and the crossbar must be rotated for service .  
 This design allows the rotation surfaces to be metal to metal verses fiberglass to fiberglass.  
 Built-in locating pin for positive re-alignment after servicing.  
 Field bonding and slotting required. Epoxy NOT included.

**JAQUITH INDUSTRIES INC**

**600 East Brighton Ave**

**Syracuse, NY 13210**

**USA**

Phone: 315-478-5700

Fax: 315-478-5707

Web site: [www.jaquith.com](http://www.jaquith.com)

Email: [sales@jaquith.com](mailto:sales@jaquith.com)

MATERIAL: ALUM 6061-T8

Shipping Weight: 20 lbs

2 feet A Tube