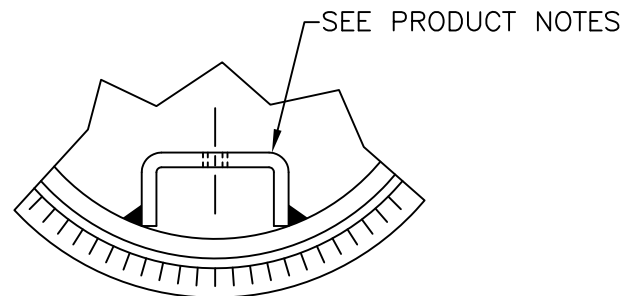
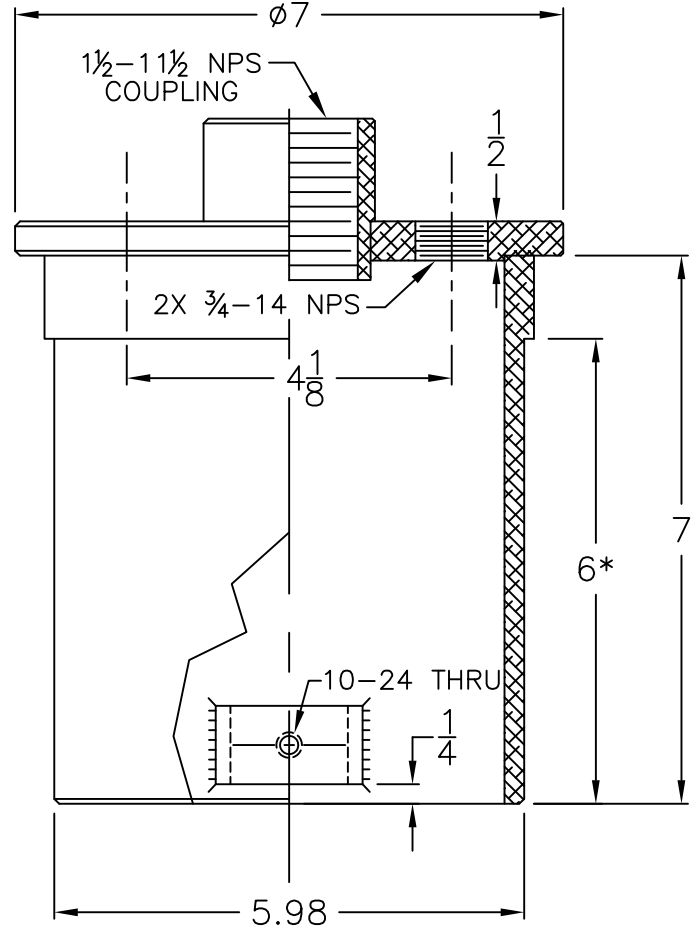
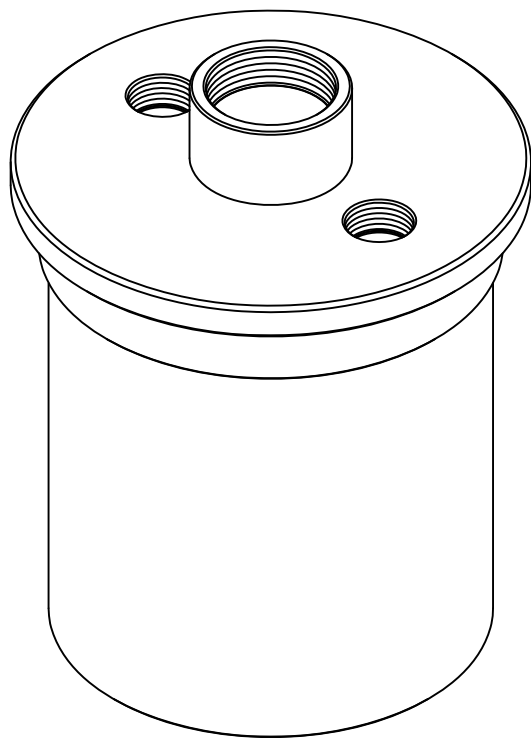


L2802ASDEX

TOP CAP FOR SENSIS ASDE-X



*See Drawing Notes

DRAWING NOTES:

6" Surface for Bonding into LIR Fiberglass Tube

PRODUCT NOTES:

Grounding Terminal, with (1) Nylon Cable Tie (6090-1299) & (1) 10-24 x 1/2 SS HHCS (6067-1460)

GENERAL NOTES:

Material: 6061 T6 Aluminum

Finish: Matte Anodize MIL A 8625 Type 2 Class I

JAQUITH INDUSTRIES INC. ~ 600 EAST BRIGHTON AVE, SYRACUSE, NEW YORK 13205 ~ PH: (315) 478-5700 ~ FAX: (315) 478-5707