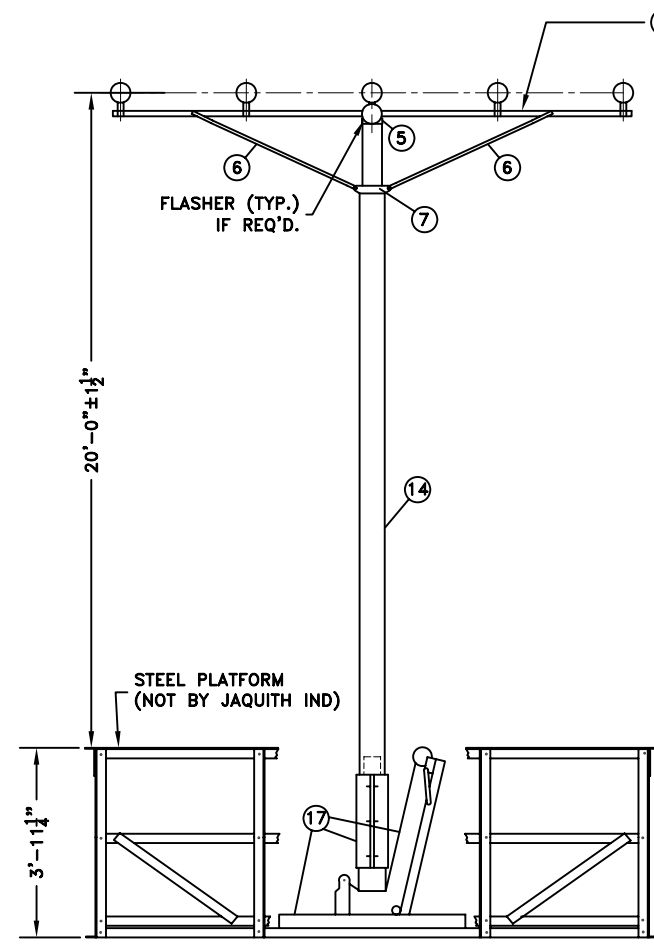
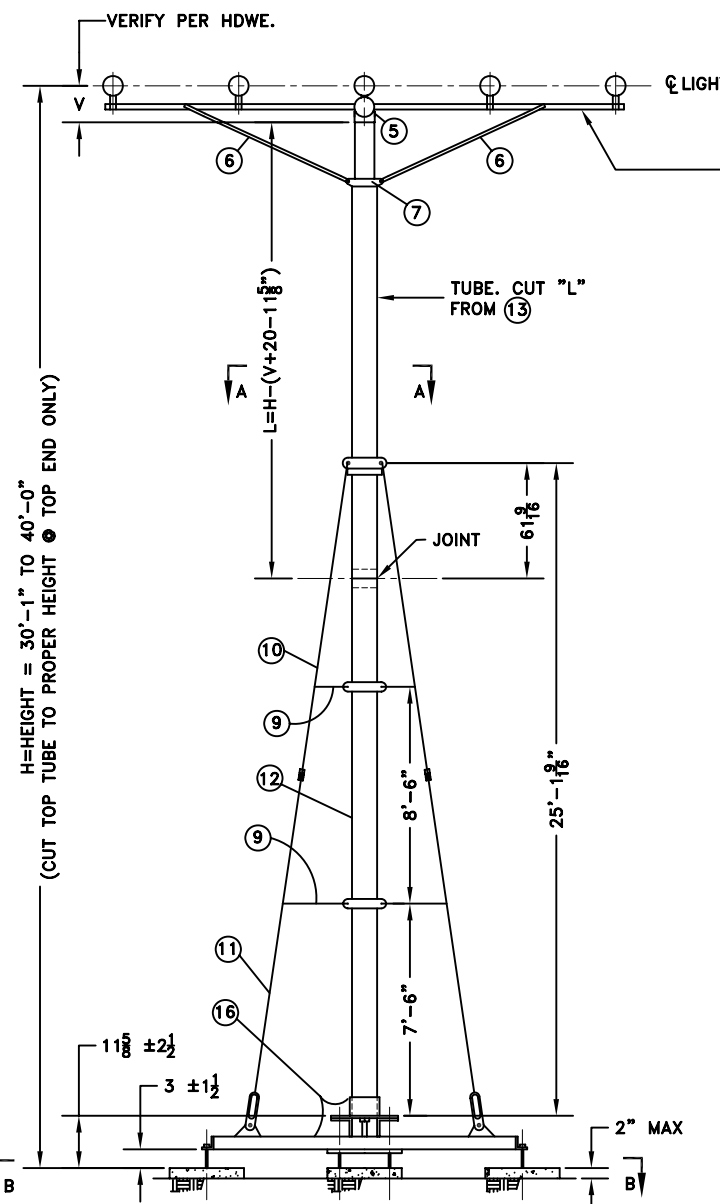


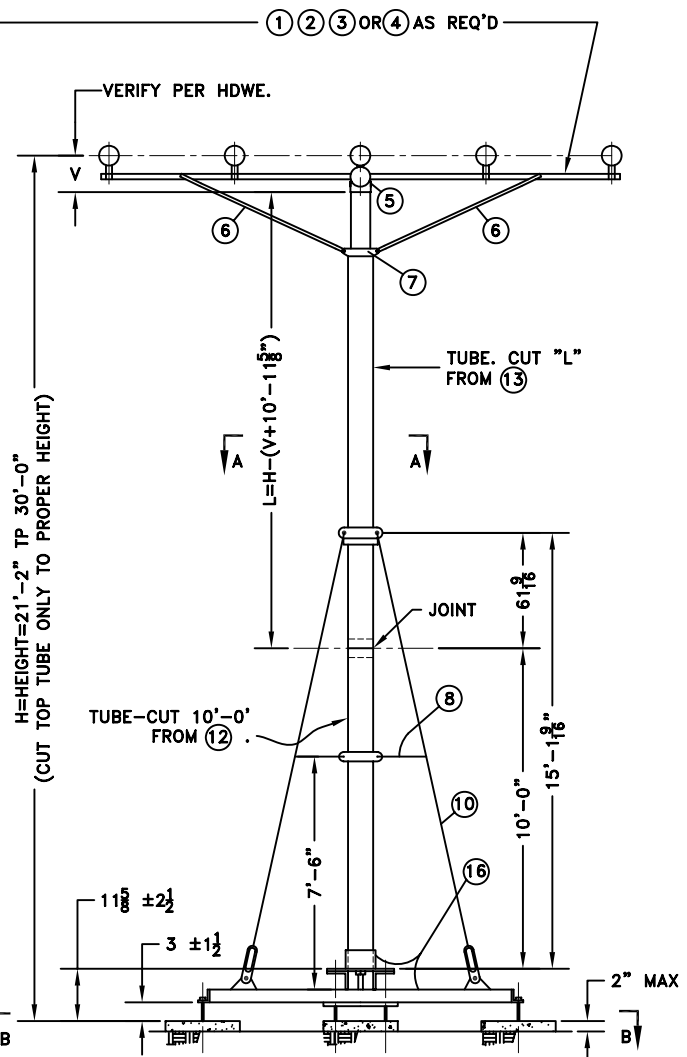
ALL DIMENSIONS IN INCHES UNLESS OTHERWISE SPECIFIED



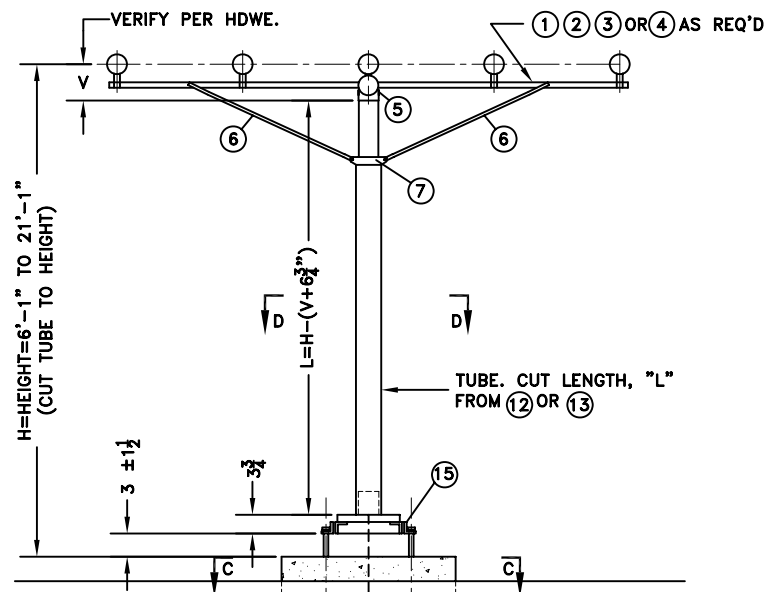
LOW-IMPACT-RESISTANT STRUCTURE MS-20
40'-0" TO 128'-0"



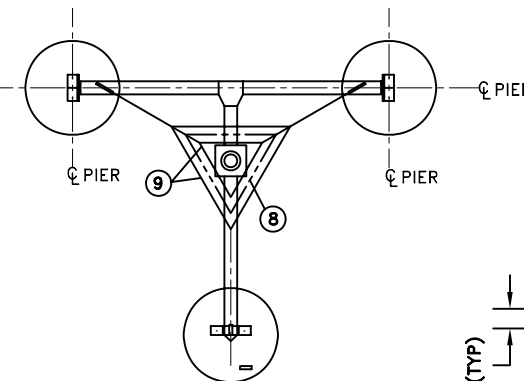
LOW-IMPACT-RESISTANT STRUCTURE MG-40



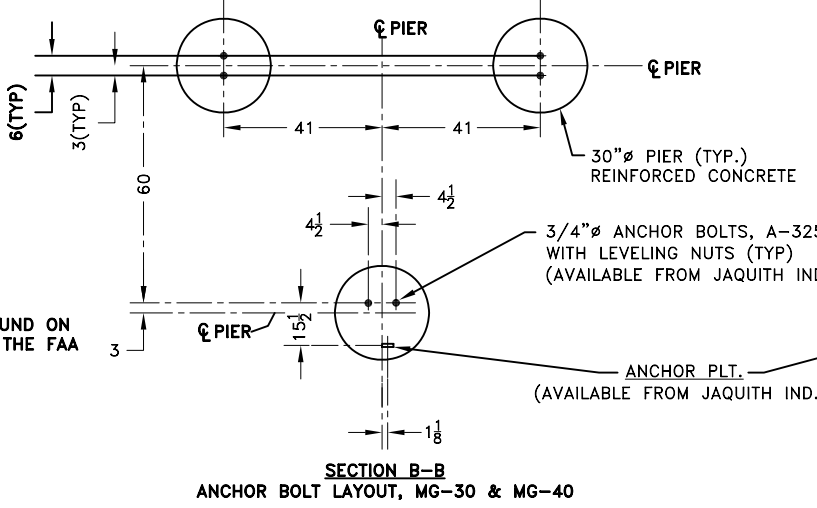
LOW-IMPACT-RESISTANT STRUCTURE MG-30



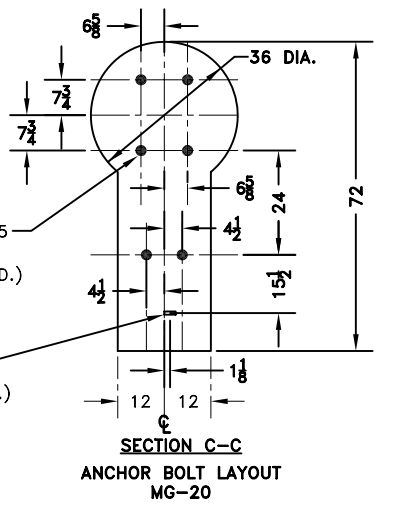
LOW-IMPACT-RESISTANT STRUCTURE MG-20



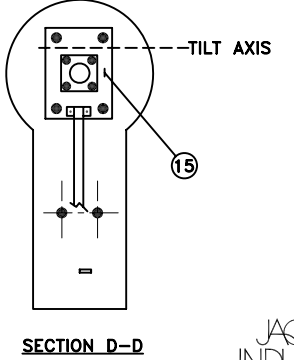
SECTION A-A



SECTION B-B
ANCHOR BOLT LAYOUT, MG-30 & MG-40



SECTION C-C
ANCHOR BOLT LAYOUT
MG-20



SECTION D-D

JACQUITH INDUSTRIES INC.
PO BOX 780
600 E. BRIGHTON AVE.
SYRACUSE, NEW YORK 13205
www.jaquith.com 315-478-5700

ITEM	DESCRIPTION	REF.DRG D-6155-	REMARKS
1	T-5 TEE BAR ASS'Y	25	AS NEEDED FOR L.I.R. STRUCTURES MG-20, MG-30, MG-40 & MS-20
2	T-4 TEE BAR ASS'Y	26	
3	T-3 TEE BAR ASS'Y	27	
4	T-M TEE BAR ASS'Y	28	
5	TUBE CAP ASSY	29	
6	TEE BRACE ASS'Y	30	
7	TEE BRACE CLAMP ASS'Y	31	
8	HORIZ. STABIL'Z'R, MG-30	32	
9	HOR. STAB. (U&L), MG 40	32	
10	STAB. ROD ASS'Y, MG-30 & 40	33	
11	STAB. ROD ASS'Y, MG-40	33	
12	TUBE "A" X 20FT	35	12 & 13 MAY BE CUT & BONDED DURING ASS'Y
13	TUBE "B" X 20FT BONDED TO TUBE SPLICE	35	
14	TUBE "A" BONDED TO MTG SOCKET ASS'Y	35	FOR L.I.R. STRUCTURE BONDED DURING ASS'Y
15	MTG. STAND ASS'Y	37	FOR MG-20 ONLY
16	MTG. FRAME ASS'Y	40	FOR MG-30 & MG-40 ONLY
17	LIFTING FRAME ASS'Y	41	FOR MS-20 ONLY
18	REPAIR TUBE SPLICE (NOT SHOWN ON THIS DRAWING)	34	FOR REPAIR OF TUBES "A" OR "B" IN FIELD

REV./LTR.	DATE	DESCRIPTION	CHECKED	APPROVED
D	10-28-06	MINOR REVISIONS	mjm	
C	10/18/04	CORRECTED BASE PERSPECTIVES, MINOR REVISIONS	R.P.	
B	8/22/01	REDRAWN IN AUTOCAD 2000 FORMAT	R.P.	
A	7/22/82	CHANGED JOINT POSITION ON MG-20	R.P.	

DEPARTMENT OF TRANSPORTATION
FEDERAL AVIATION ADMINISTRATION
WASHINGTON, D.C. 20591

ALSF-2 (6' - 128') & MALSR (6' - 128')
L.I.R. STRUCTURES
LIGHT MOUNTING HEIGHT 6'-1" TO 128'-0"
STRUCTURE CONFIGURATIONS

REVIEWED BY	SUBMITTED BY	APPROVED BY

TECHNICAL OFFICER
DATE- 07/03/00
DRAWING NO.
D-6155-24

NOTE: COMPLETE FOUNDATION DETAILS ARE FOUND ON DRAWING D-6155-19, AVAILABLE FROM THE FAA OR JACQUITH IND.