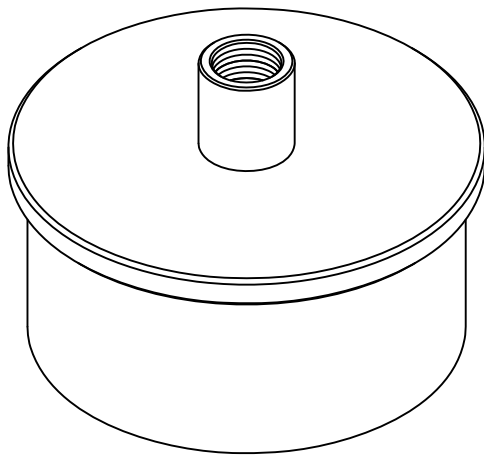
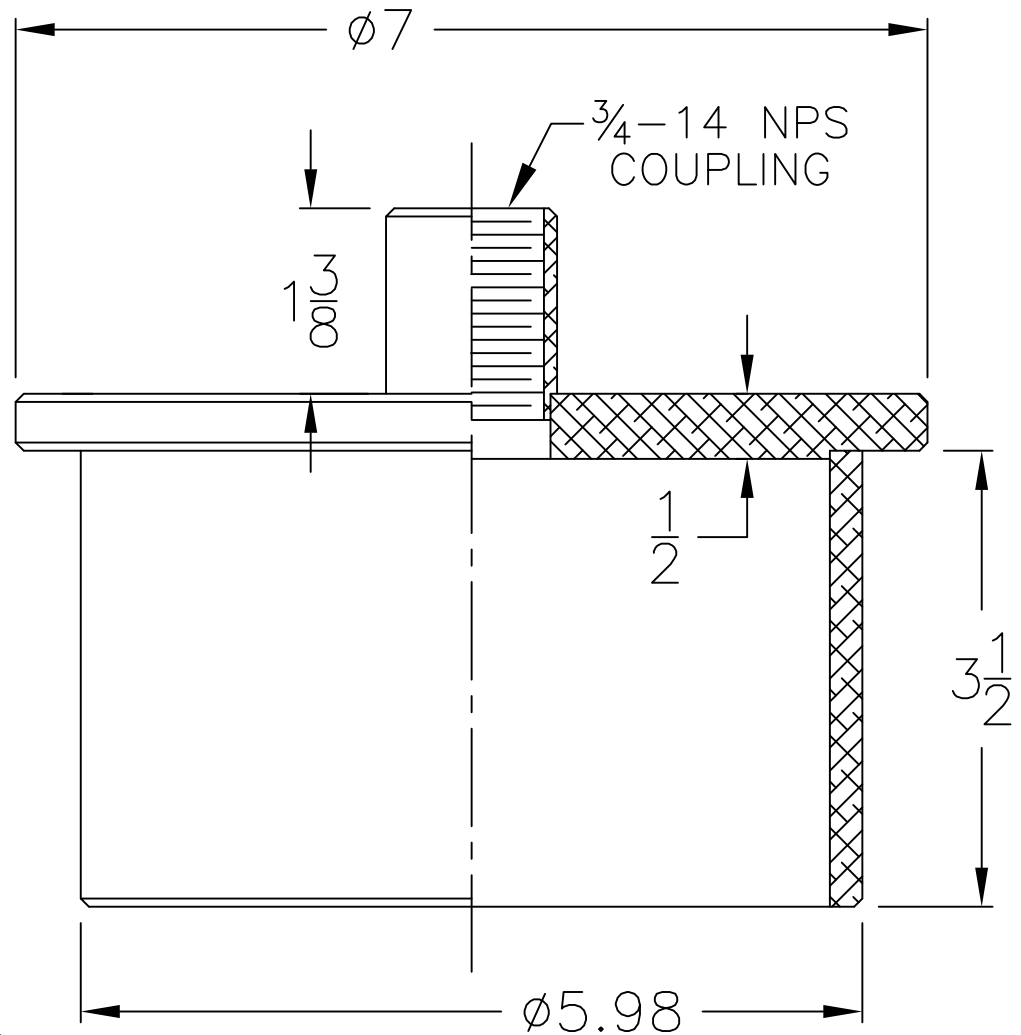


L2800CT

TOP CAP WITH 3/4" COUPLING FOR
OBSTRUCTION LIGHT OR AIR TERMINAL



GENERAL NOTES:

Material: 6061 T6 Aluminum
Finish: Matte Anodize MIL A 8625 Type 2 Class I
Ships with L7013 Stainless Steel Clamp

JQUITH INDUSTRIES INC. ~ 600 EAST BRIGHTON AVE, SYRACUSE, NEW YORK 13205 ~ PH: (315) 478-5700 ~ FAX: (315) 478-5707