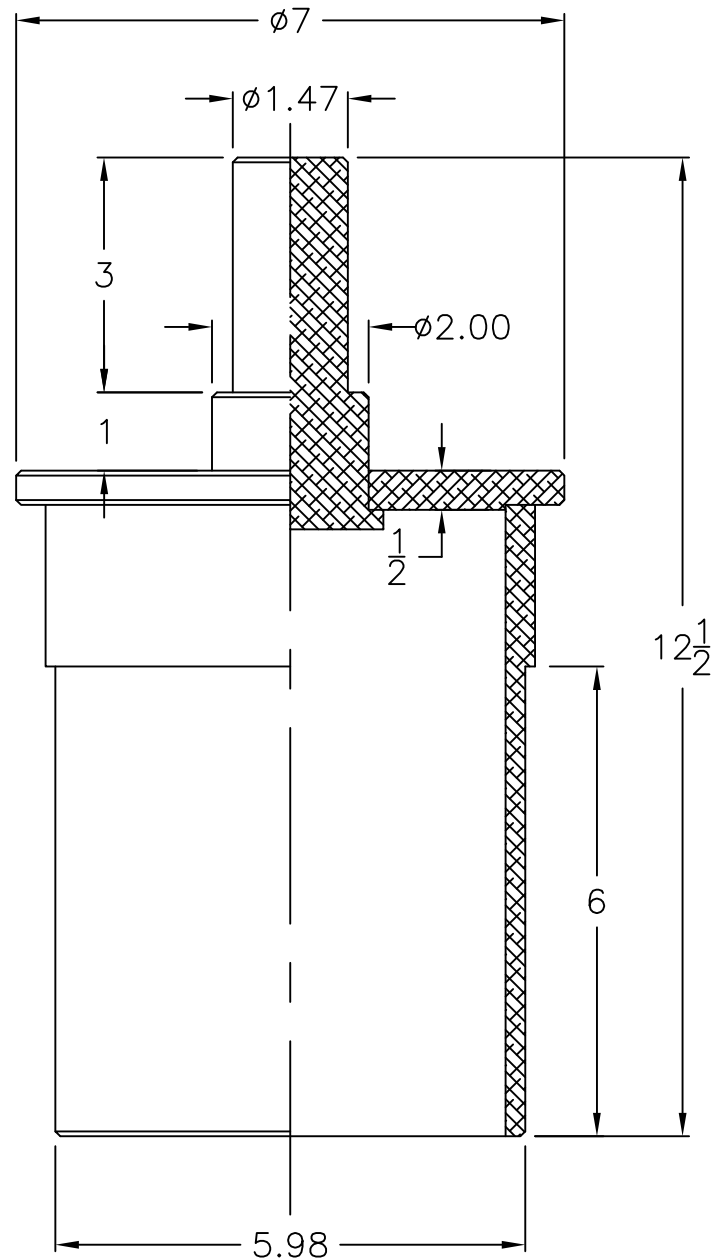
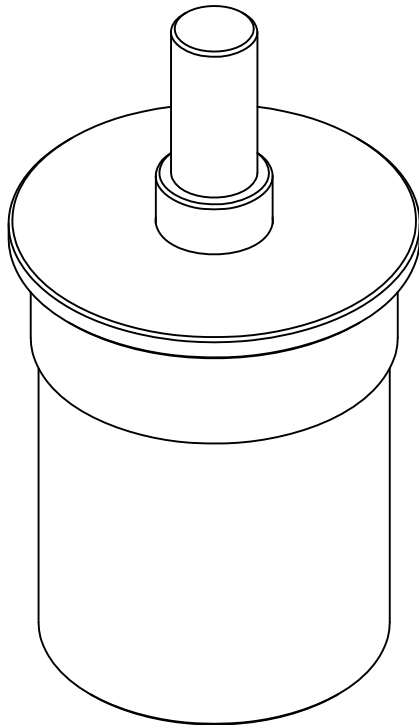


L2802FPN67

TOP CAP with TENON MOUNT for RADAR REFLECTOR



*See Drawing Notes

DRAWING NOTES:

6" Surface for Bonding into LIR Fiberglass Tube

GENERAL NOTES:

Material: 6061 T6 Aluminum

Finish: Matte Anodize MIL A 8625 Type 2 Class I

JAQUITH INDUSTRIES INC. ~ 600 EAST BRIGHTON AVE, SYRACUSE, NEW YORK 13205 ~ PH: (315) 478-5700 ~ FAX: (315) 478-5707