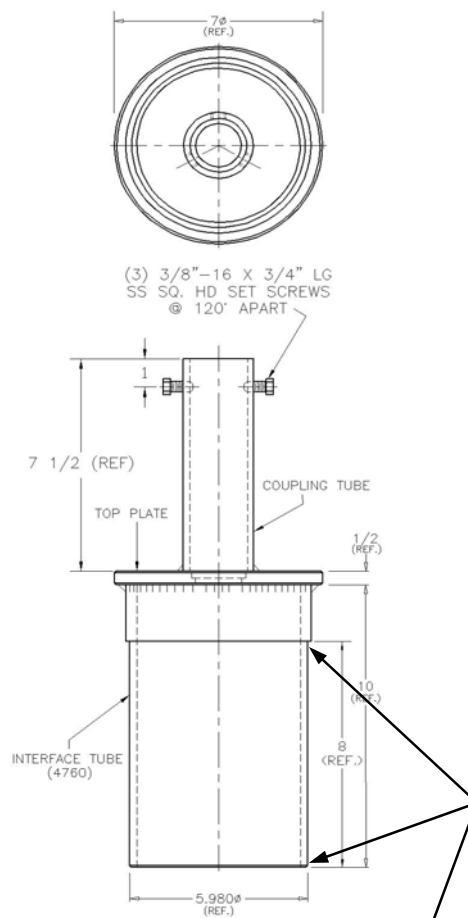




L.I.R. L2807- _ _

2.375" OD x _ _ Pipe Tenon with 3) .375 S/S Set Screws

Shown:
**L2807-12 Top Cap with 2.375" OD / 2.065" ID Schedule 40 Tenon
& 3) .375" S/S set screws 120° apart**



8" bonding surface into LIR fiberglass tube
For different length Tenon, change the dash numbers

JAQUITH INDUSTRIES INC
600 East Brighton Ave
PO Box 780
Syracuse, NY 13205 USA

Phone: 315-478-5700
Fax: 315-478-5707
Web site: www.jaquith.com
Email: sales@jaquith.com

Top Material: 6061-T6 Aluminum
Finish: Matt Anodize
Mil A 8625 Type 2 Class 1
Shipping Weight: variable