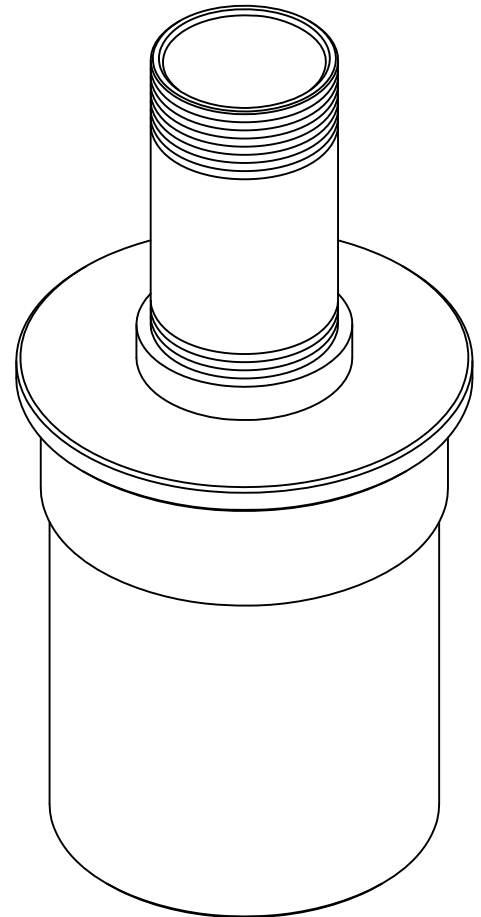
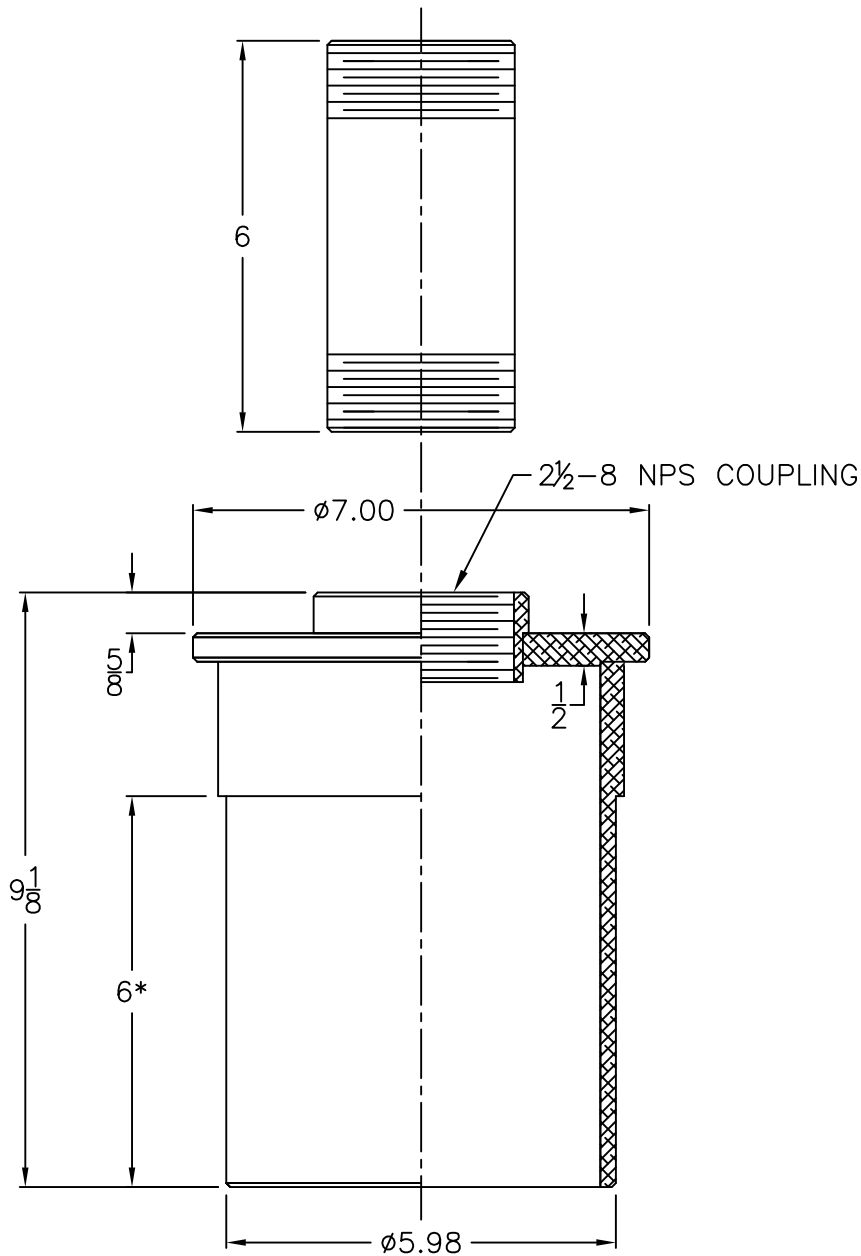


# L2825

TOP CAP with 2½" NPS COUPLING &  
2½" NPT x 6" STAINLESS STEEL NIPPLE



\*See Drawing Notes

**DRAWING NOTES:**

6" Surface for Bonding into LIR Fiberglass Tube

**GENERAL NOTES:**

Top Cap Material: 6061 T6 Aluminum (except where noted)

Top Cap Finish: Matte Anodize MIL A 8625 Type 2 Class I

Nipple Material: 304 Stainless Steel 2½" SCH 40 Pipe (min)

JACQUITH INDUSTRIES INC. ~ 600 EAST BRIGHTON AVE, SYRACUSE, NEW YORK 13205 ~ PH: (315) 478-5700 ~ FAX: (315) 478-5707