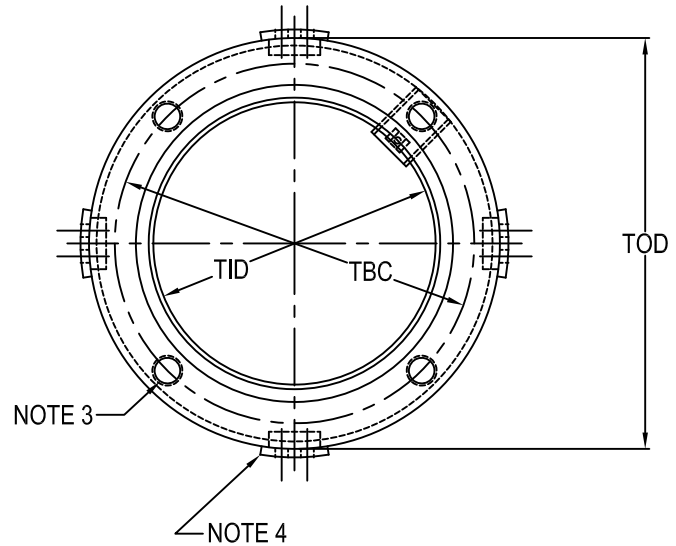


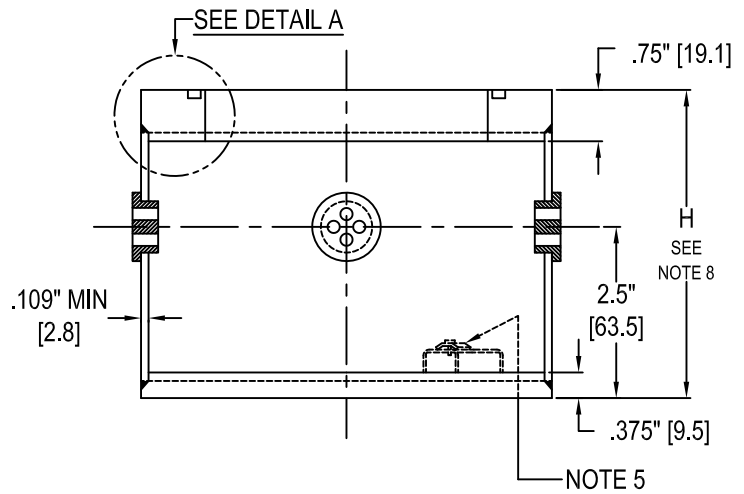
# Junction Box FAA L-869



Junction Box

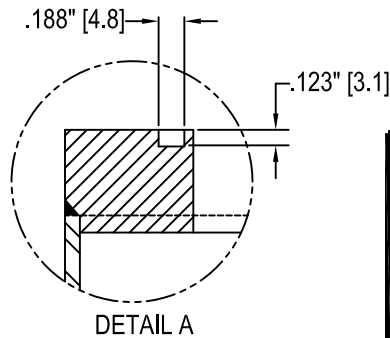


1. Approved and Certified to FAA Advisory Circular AC150/5345-42 Rev C L-869  
Size: 6"
2. Junction Boxes are Zinc Plated to QQZ-325
3. (4) 3/8"-16 equally spaced, tapped holes
4. Junction boxes are shipped with:
  - (4) 3/8"-16 x 3/4" stainless hex head cap screws (10650196)
  - (1) 'O' ring gasket (10530289)
  - (4) AW0921 Port Grommets with (4) # 10 GA. Wire
5. For ground applications, use AW7650 (AW0923 ground clip, See Dwg # I-11)
6. Covers are sold separately



7. Covers Available:  
See Dwg # H-03

8. H = height required  
4 1/2" Standard height



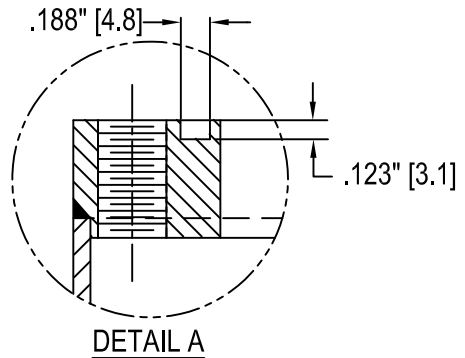
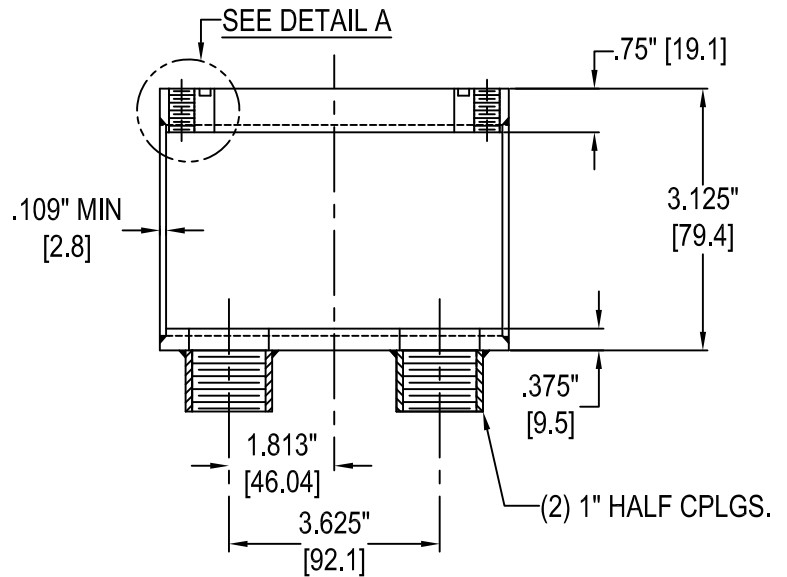
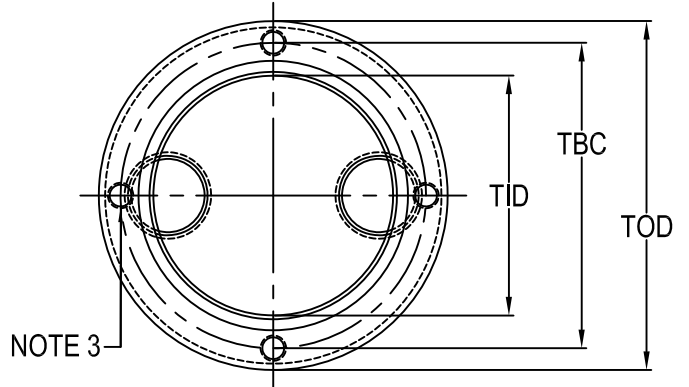
TYPE	TOD	TBC	TID	GROUND
<b>AW7600</b>	6"	5.25"	4.125"	NO
6" L869	[152.4]	[133.4]	[104.8]	
<b>AW7650</b>	6"	5.25"	4.125"	YES
6" L869	[152.4]	[133.4]	[104.8]	

[ ] = dimensions in metrics; mm.

# Junction Box FAA L-869



Junction Box

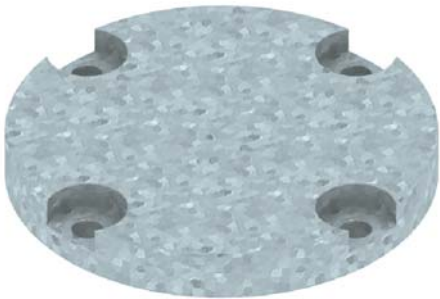


1. Approved and Certified to FAA Advisory Circular AC150/5345-42 Rev C L-869  
Size: 6"
2. Junction Boxes are Zinc Plated to QQZ-325
3. (4) 3/8"-16 equally spaced, tapped holes
4. Junction boxes are shipped with:  
(4) 3/8"-16 x 3/4" stainless hex head cap screws (10650196)  
(1) 'O' ring gasket (10530289)
5. Covers are sold separately
6. Covers Available:  
See Dwg # H-03

TYPE	TID	TBC	TOD
<b>AW7609</b>	4.25"	5.25"	6"
6" L869	[108]	[133.4]	[152.4]

[ ] = dimensions in metrics; mm

# Cover Plate for L-869 Light Bases



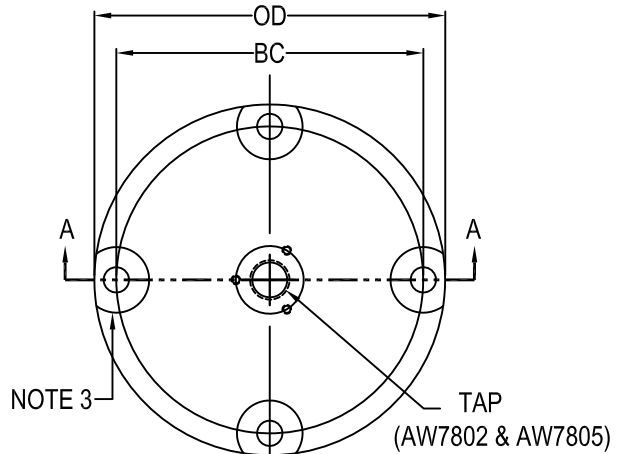
AW7601



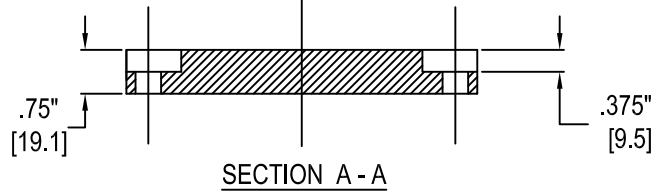
AW7805

Cover Plate for L-869 Bases

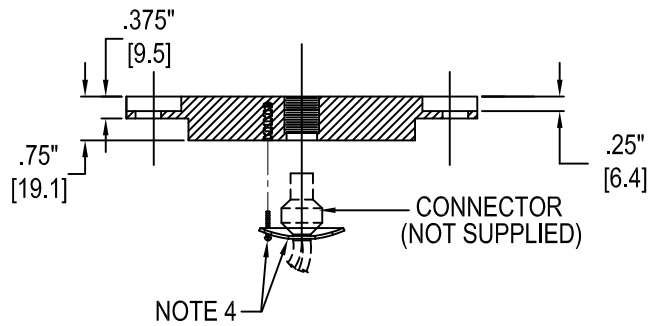
1. Approved and Certified to FAA Advisory Circular AC150/5345-42 Rev C  
L-869  
Size: 6"
2. Cover Plate is galvanized to ASTM-A123/A123M-02
3. (4) 7/16" Ø equally spaced, thru holes with 1 1/8" Ø counter bore
4. Cover plate with tapped opening is shipped with:  
Hardware packup #6120 which contains:  
(1) 3 hole L 823 cable clamp (8089)  
(3) #10-24 x 1 1/2" SS machine screws (10670781)
5. \*Contact factory for variations :  
- GROUNDING  
- ENGRAVING



**(AW7601)**



**(AW7802) & (AW7805)**



TYPE	BC	OD	TAP
<b>AW7601</b>	5.25"	6"	N/A
6" L869	[133.4]	[152.4]	N/A
<b>AW7802</b>	5.25"	6"	2" NPS
6" L869	[133.4]	[152.4]	[50.8]
<b>AW7805</b>	5.25"	6"	1 1/2" NF
6" L869	[133.4]	[152.4]	[38.1]

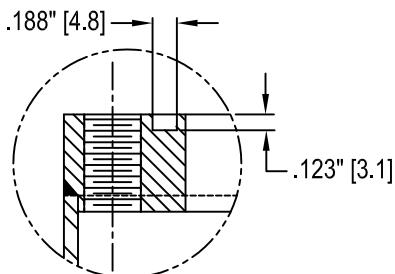
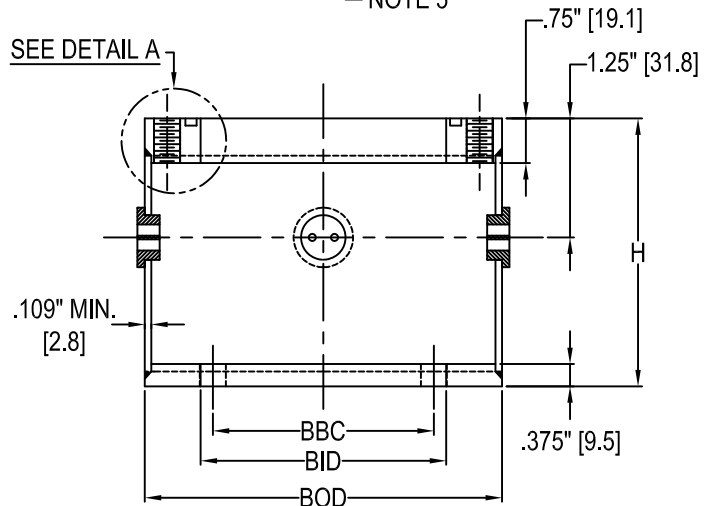
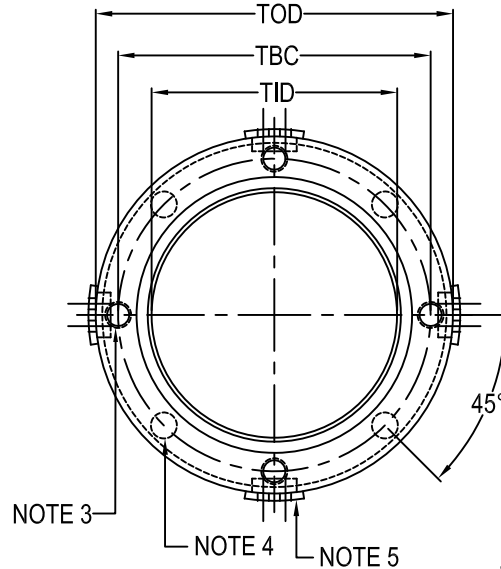
[ ] = dimensions in metrics; mm

# Junction Box Extension FAA L-869



Junction Box Extension

1. Approved and Certified to FAA Advisory Circular AC150/5345-42 Rev C L-869 Size: 6"
2. Junction Box Extensions are Zinc Plated to QQZ-325
3. (4) 3/8"-16 equally spaced, tapped holes
4. (4) 7/16" equally spaced, thru holes
5. Junction box extensions are shipped with:
  - (4) 3/8"-16 x 3/4" stainless hex head cap screws (10650196)
  - (1) 'O' ring gasket (10530289)
  - (1) AW0922 Port Grommet with (2) # 12 GA. Wire
  - (3) AW0921 Port Grommets with (4) # 10 GA. Wire



DETAIL A

TYPE	AW7602	AW7603	AW7604	AW7605	AW7606	AW7607	AW7608
H	6" L869	6" L869	6" L869	6" L869	6" L869	6" L869	6" L869
	2"	2 1/8" - 3"	3 1/8" - 4"	4 1/8" - 5"	5 1/8" - 6"	6 1/8" - 7"	7 1/8" - 8"
TID/BID	4.125" [104.8]						
TBC/BBC	5.25" [133.4]						
TOD/BOD	6" [152.4]						

[ ] = dimensions in metrics; mm.