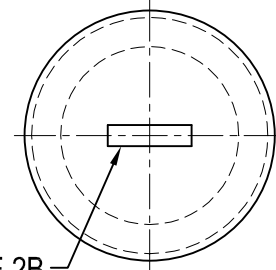
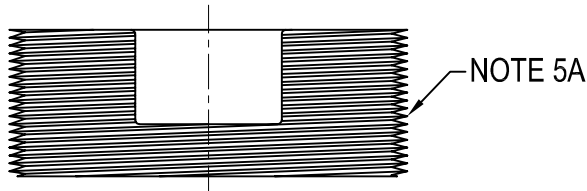


2" NPT Countersunk Pipe Plug (10700318)

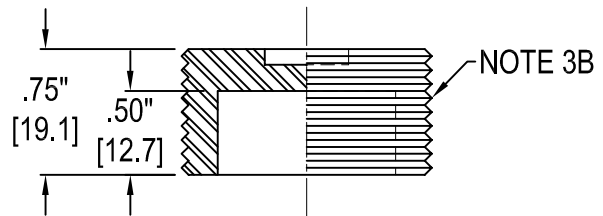
## PIPE PLUGS 1 1/2"-12 UNF & 2"-11 1/2 NPT



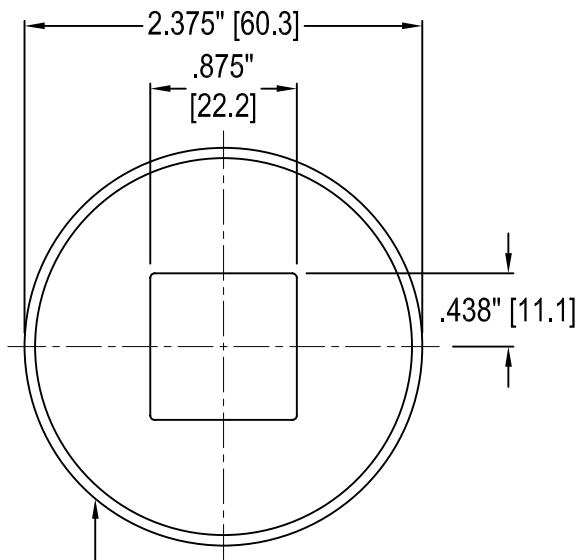
NOTE 2B



NOTE 5A

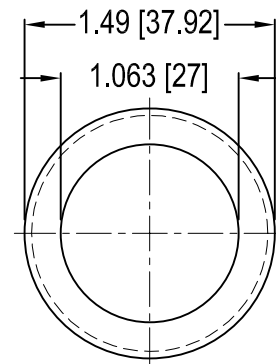


NOTE 3B



NOTE 4A

**10700318**



**10700317**

1A. Manufactured in accordance to FAA

D-5225 Specifications

2A. Material : Cast Iron

3A. Finish : Zinc Plated

4A. .063" x 45° chamfer both sides

5A. 2" [50.8] NPT Tap

1B. Material : Aluminum

2B. 1/8" x 1/2" x 3/32" deep Screwdriver Slot

3B. 1 1/2" [38.1] UNF Tap

4B. Recommend using Anti-seize compound when installing

[ ] = dimensions in metrics; mm.