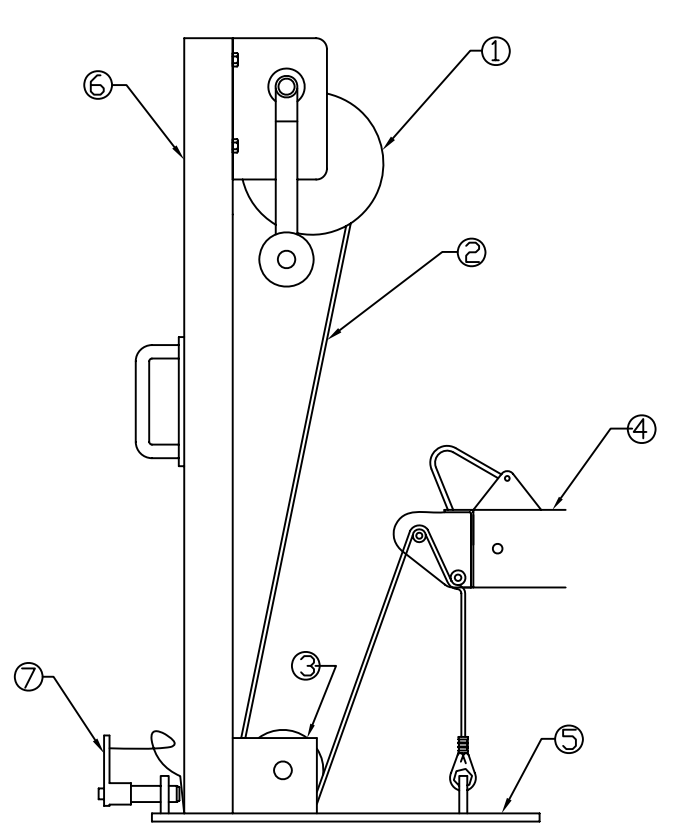
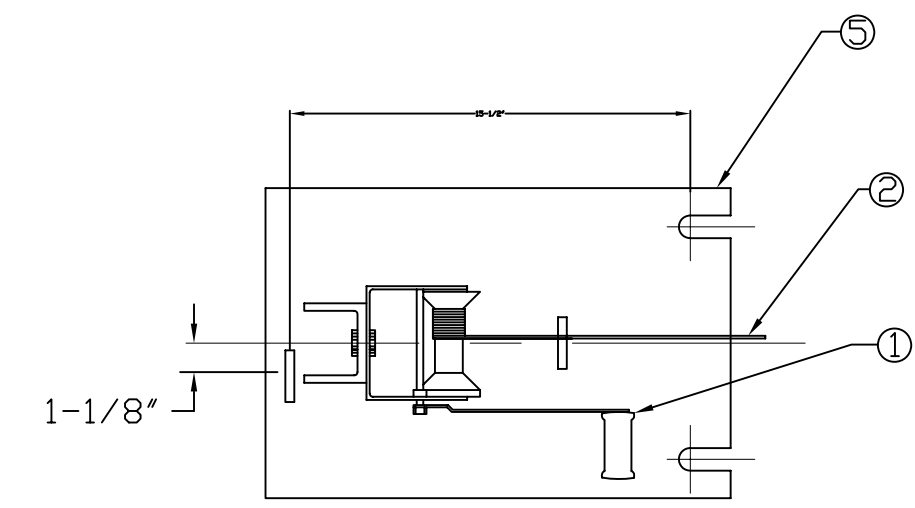
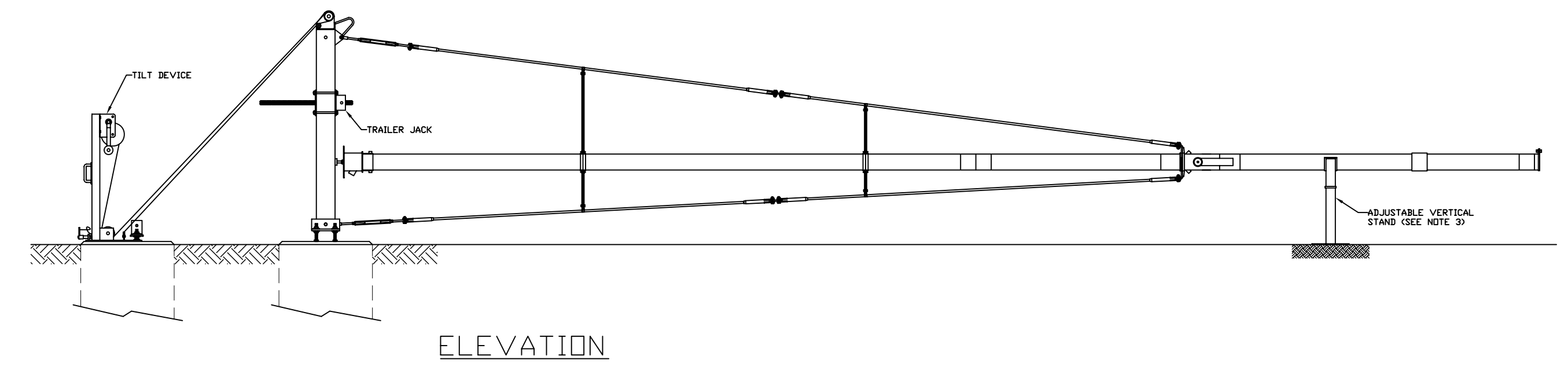
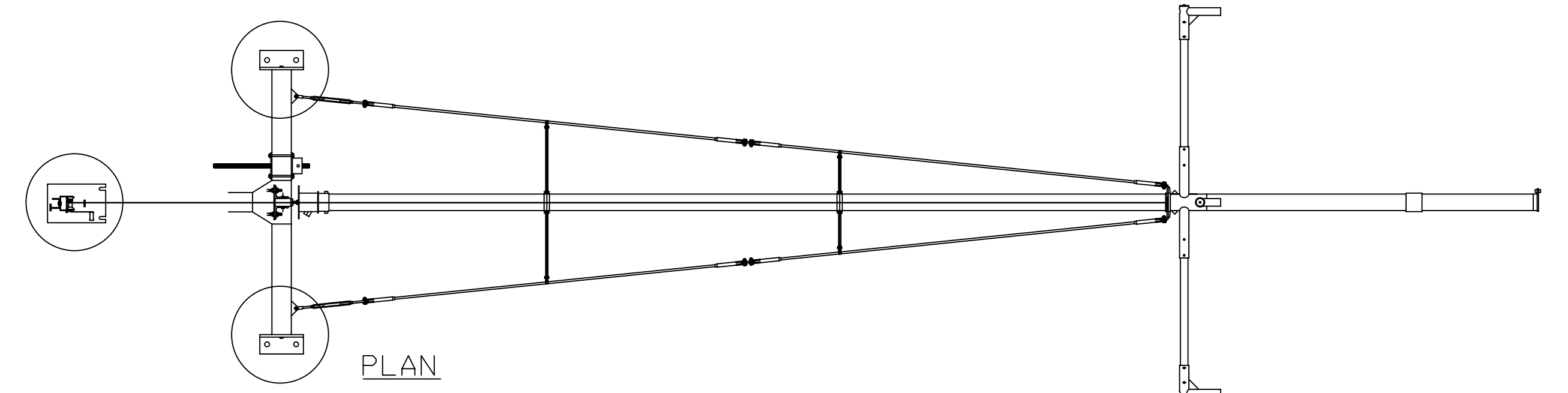
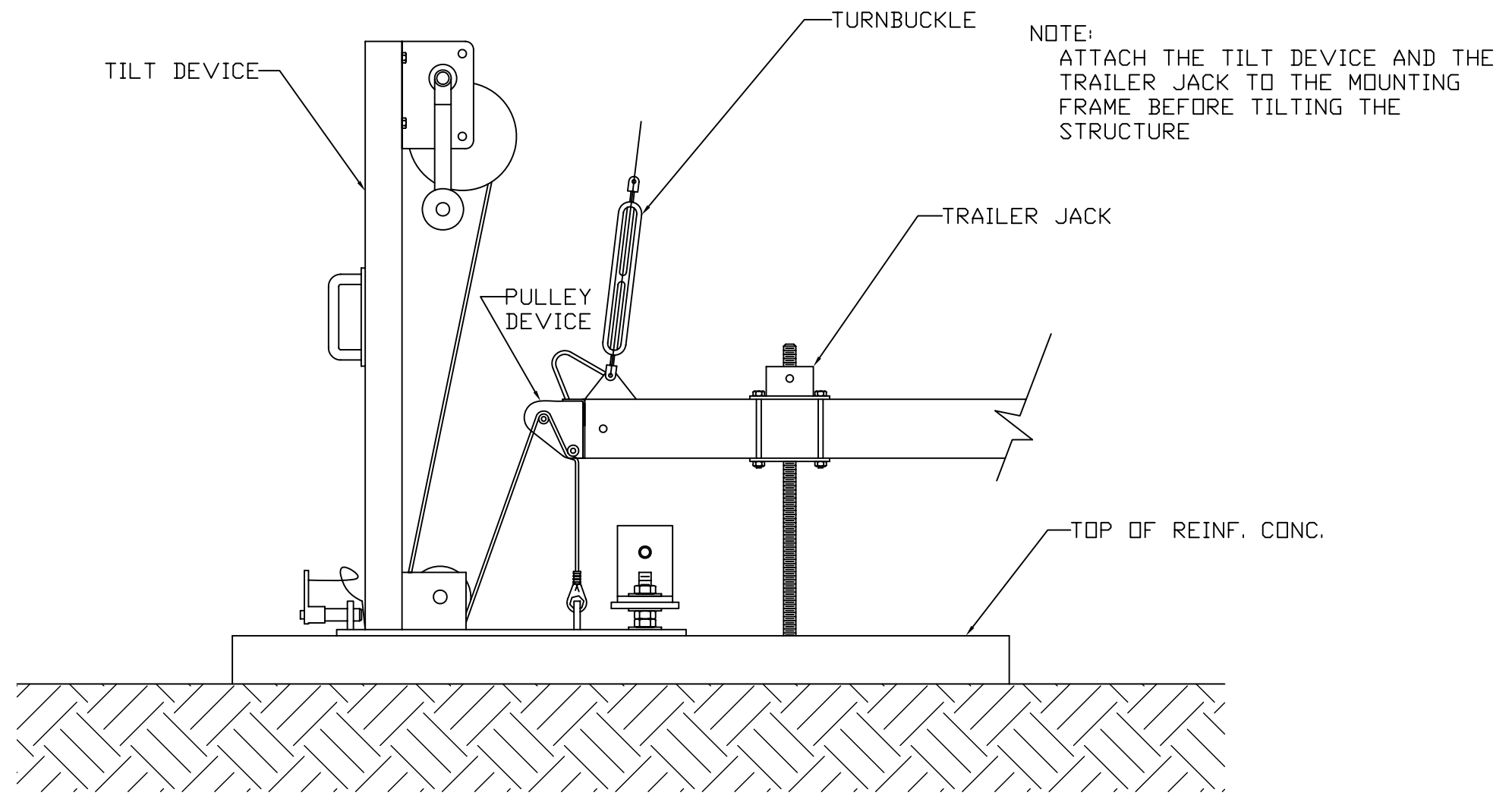


**ADJUSTABLE VERTICAL STAND**  
(TYPICAL ALL STRUCTURES)  
SEE NOTE 3



- ① WINCH
- ② CABLE
- ③ PULLEY
- ④ SHEAVE BLOCK
- ⑤ RECTANGULAR PLATE (ALUM. 12" x 18" x 3/8" APPROX.)
- ⑥ CHANNEL (2" x 2" x 1/4" x 36" LG. ALUM.)
- ⑦ QUICK RELEASE PIN

**ELEVATION**  
**TILT DEVICE**



- NOTES:**
- TILT DEVICE AND TRAILER JACK FURNISHED BY THE STRUCTURE MANUFACTURER.
  - ONE TRAILER JACK REQUIRED FOR EACH POLE. ONE TILT DEVICE REQUIRED FOR EACH SITE LOCATION.
  - THE INSTALLATION CONTRACTOR SHALL FURNISH ONE ADJUSTABLE VERTICAL STAND FOR EACH LOCATION WHEN THE STAND IS NOT LISTED AS GOVERNMENT FURNISHED (GFM). SEE DETAIL THIS DRAWING.

**JACQUITH INDUSTRIES INC.**  
PO BOX 780  
600 E. BRIGHTON AVE.  
SYRACUSE, NEW YORK 13205  
www.jaquith.com 315-478-5700

REV./LTR.	DATE	DESCRIPTION	CHECKED	APPROVED
C	7/12/05	REDRAWN IN AUTOCAD FORMAT - DA		
B	4/12/91	CHANGED ADJUSTABLE VERTICAL STAND		
A	5/10/89	MISC. CORRECTIONS		

DEPARTMENT OF TRANSPORTATION FEDERAL AVIATION ADMINISTRATION CENTRAL REGION - KANSAS CITY, MISSOURI			
RAISING AND LOWERING OF JACQUITH NL-40 FIBERGLASS ANTENNA STRUCTURES			
REVIEWED BY	SUBMITTED BY	APPROVED BY	
		TECHNICAL OFFICER	
DESIGNED BY	ISSUED BY	DATE- 8/10/88	REV. LTR.
DRAWN BY	AIRWAY FACILITIES DIVISION	DRAWING NO.	
CHECKED BY	ENGINEERING BRANCH	CE-D-7778-4	C