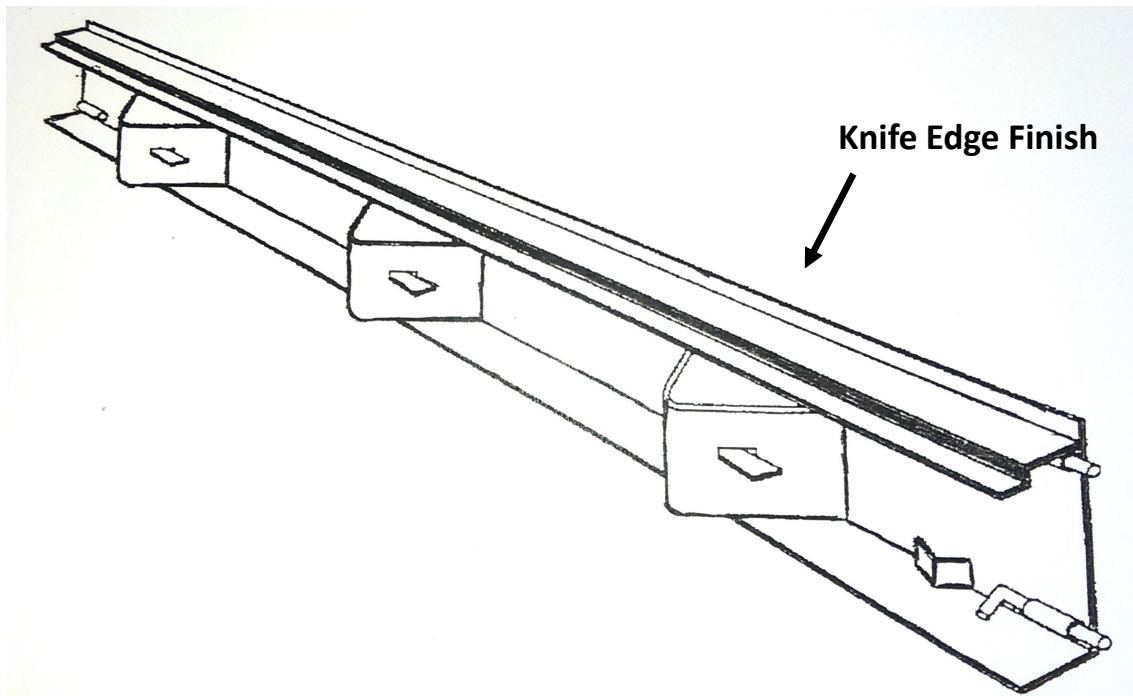




### **Super Flat Forms**

When your job requirements call for close tolerances on vital flat work projects, Jaquith can provide a custom designed BMF "Super Flat Form" to provide the accuracy required when precise pouring and finishing is necessary. The special design provides a "Knife Edge" to assure a "Super Flat" finish. The barrel Bolt end connections provide optimal form alignment.

Typical form heights range from 4" and up to 12"  
Custom Made to your Specification



### **Jaquith Industries, Inc.**

600 East Brighton Ave

P.O Box 780

Syracuse, NY 13205-0780

315-478-5700

Fax- 315-478-5707